



# BRAKE PAD

## P 85 015

The P 85 015 brake pad is synonymous with reliability

The Brembo brake pad guarantees ultimate safety when braking thanks to the use of more than 100 different compounds, designed according to the type of vehicle and use. Stopping distances reduced to a minimum, maximum driving comfort and silent operation are the most important features of Brembo materials. Brembo brake pads are supplied together with an extensive range of accessories and assembly kits for professional-standard installation.

- ✓ OE-equivalent
- ✓ Brembo quality
- ✓ ECE-R90 certificate
- ✓ Safety
- ✓ Performance
- ✓ Comfort
- ✓ With accessories

### Technical specifications

EAN code  
**8020584058183**

Axle  
**Front**

Thickness  
**16 mm**

Width  
**119 mm**

Height  
**69 mm**



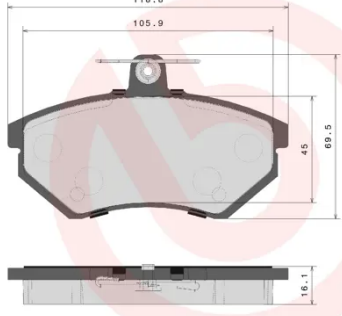

Braking system  
**TRW**

Wear indicator  
**Without**

WVA number  
**20168**

Accessories  
**With anti-squeal shim**  
**With accessories**  
**With brake caliper bolts**



	<b>P 85 015</b>		407.E672.252
			SCREW M8x1, 25x20 05.E659.030 - x2 
WVA: 20168 QTY: x4			
<small>DATE : 19/07/2024 VERSION : 00</small>			

COMPATIBLE VEHICLES

## COMPATIBLE OE PART NUMBERS

357698151A	AUDI
357698151D	AUDI
357698151H	AUDI
533698151	AUDI
3501500FA01	FENGON
4106085V00	NISSAN
41060V4810	NISSAN
41060Y9090	NISSAN
357698151A	SEAT
357698151D	SEAT
357698151H	SEAT
533698151	SEAT
357698151A	SKODA
357698151D	SKODA
357698151H	SKODA
533698151	SKODA
357698151A	VW
357698151D	VW
357698151H	VW
533698151	VW
24513053	WULING (SGMW)