



SPORT | TY3 BRAKE DISC

59.E115.34

The 59.E115.34 brake disc is synonymous with reliability

Type-3 slotting used to distinguish the Brembo SPORT | TY3 brake disc is widely used in professional motorsports. It therefore offers superior initial response with excellent release characteristics, improving braking performance while giving the vehicle an aggressive appearance. The Brembo logo on the braking surface adds an exclusive and unique touch to the vehicle. The SPORT | TY3 brake discs are plug-and-play since they replace OE discs directly.

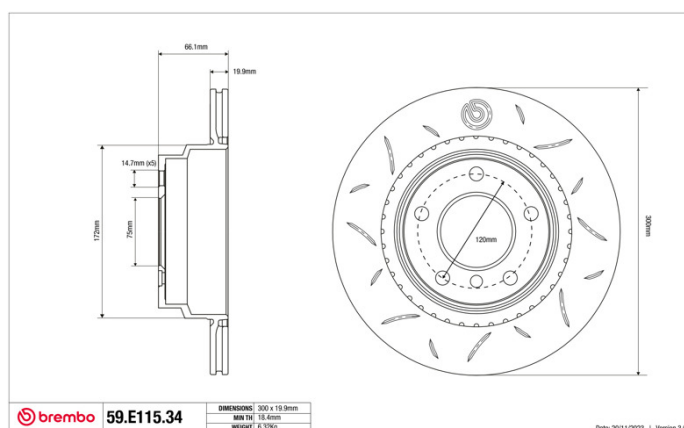
- ✓ OE-equivalent
- ✓ Brembo quality
- ✓ ECE-R90 certificate
- ✓ Safety
- ✓ Performance
- ✓ Comfort
- ✓ Sports driving
- ✓ Sparty look



Technical specifications



Diameter	Thickness (TH)	Height (A)
300 mm	20 mm	66 mm
Number of holes (C)	Brake disc type	Centering
5	Solid	75 mm
Min. thickness	Tightening torque	Axle
18,4 mm	120 Nm	Rear
Units per box	EAN code	
0	8020584606070	



brembo 59.E115.34

DIMENSIONS: 300 x 18.9mm
MIN TH: 18.4mm
WEIGHT: 6.32kg

Date: 2011/2023 | Version: 3.00

