

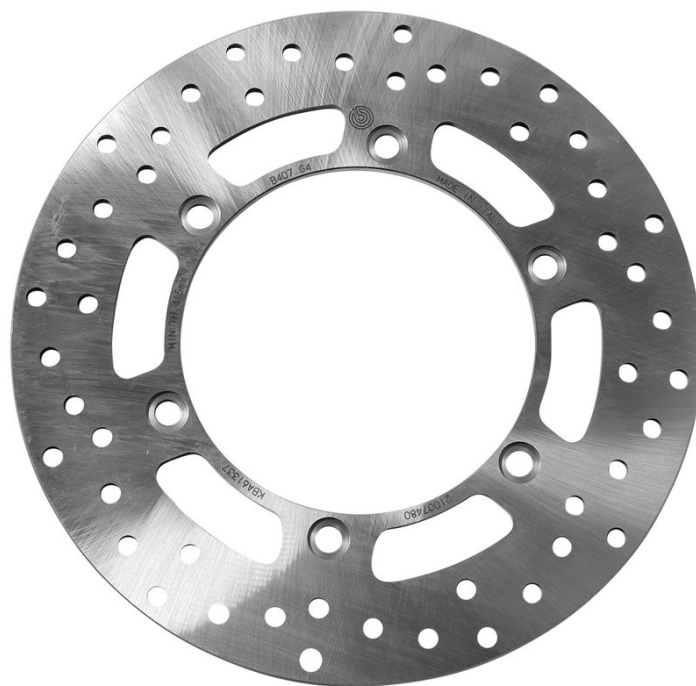


SERIE ORO FIXED 68B407G4

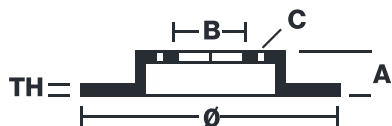
The 68B407G4 brake disc is synonymous with reliability

Brembo Serie Oro brake discs are fully interchangeable with an Original Equipment brake disc. The Serie Oro fixed discs are made from a single piece of stainless steel. Resulting from a specific study of machining tolerances, the special conformation of Brembo discs allows braking torque to be transmitted more effectively while offering better resistance to thermal and mechanical stress. The Serie Oro was the range with which Brembo entered the racing world in the mid-1970s, quickly becoming the industry benchmark for discs.

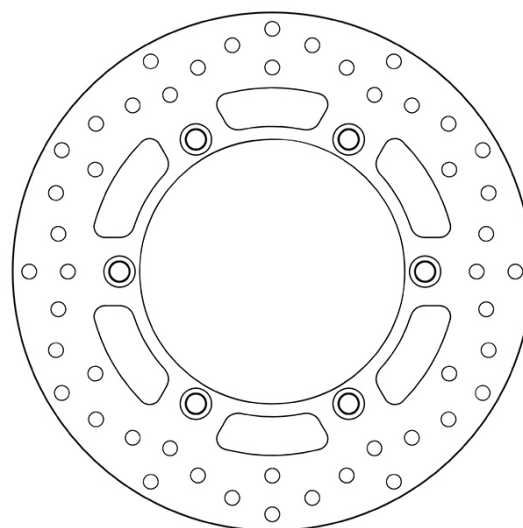
- ✓ OE-equivalent
- ✓ Brembo quality
- ✓ Safety
- ✓ Performance
- ✓ Durability
- ✓ Sports driving



Technical specifications



Diameter Ø	Thickness (TH)	Number of holes
282 mm	5 mm	6
Hole diameter	Centering (B)	Brake disc type
10,5 mm	144 mm	Fixed
Surface width	Holes fixing (C)	
	10,5 mm	
Units per box		
1		



COMPATIBLE VEHICLES