



BRAKE DISC

08.2138.10

The **08.2138.10** brake disc is synonymous with reliability

The Brembo brake disc is fully interchangeable with an Original Equipment brake disc. The control of the entire production cycle allows Brembo to offer brake discs with outstanding performance levels, reliability, durability and comfort in all conditions of use. All Brembo brake discs are accompanied by the ECE-R90 homologation.

- ✓ OE-equivalent
- ✓ Brembo quality
- ✓ ECE-R90 certificate
- ✓ Safety



Technical specifications



EAN code **8020584213810** Axle **Front and rear**

Diameter \varnothing **228** mm

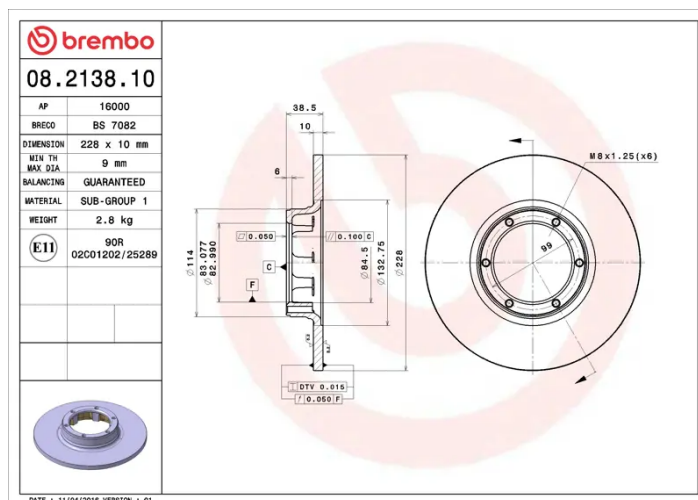
Thickness (TH) **10** mm Height (A) **39** mm

Number of holes (C) **6**

Brake disc type **Solid** Centering (B) **83** mm

Min. thickness **9** mm

Tightening torque **85** Nm



COMPATIBLE VEHICLES

COMPATIBLE OE PART NUMBERS

10230001202	ARO
-------------	-----

7700502515	ARO
------------	-----

7700502515	DACIA
------------	-------

7700502515	RENAULT
------------	---------

7701466540	RENAULT
------------	---------
