



# BRAKE DISC

## 08.A147.10

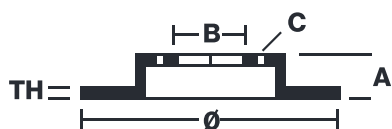
The **08.A147.10** brake disc is synonymous with reliability

The Brembo brake disc is fully interchangeable with an Original Equipment brake disc. The control of the entire production cycle allows Brembo to offer brake discs with outstanding performance levels, reliability, durability and comfort in all conditions of use. All Brembo brake discs are accompanied by the ECE-R90 homologation.

- ✓ OE-equivalent
- ✓ Brembo quality
- ✓ ECE-R90 certificate
- ✓ Safety
- ✓ Fastening screws



### Technical specifications



EAN code  
**8020584018057**

Axle  
**Rear**

Diameter Ø  
**260** mm

Thickness (TH)  
**9** mm

Height (A)  
**42** mm

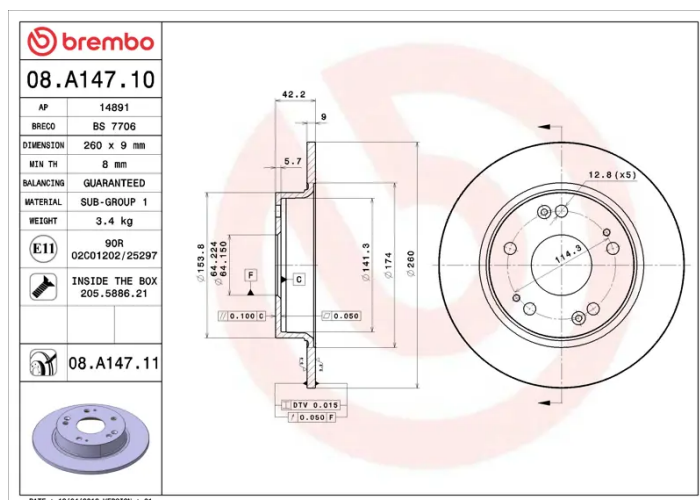
Number of holes (C)  
**5**

Brake disc type  
**Solid**

Centering (B)  
**64** mm

Min. thickness  
**8** mm

Tightening torque  
**108** Nm



COMPATIBLE VEHICLES

## COMPATIBLE OE PART NUMBERS

42510TR3A00	ACURA
42510SNVH00	CIIMO
42510SMGE20	HONDA
42510SNAA00	HONDA
42510SNAA01	HONDA
42510SNEA00	HONDA
42510SNLT00	HONDA
42510TR3A00	HONDA
42510SNAA00	HONDA (DONGFENG)
42510SNVH00	HONDA (DONGFENG)