



BRAKE DISC

09.9503.10

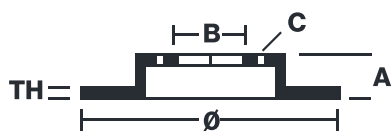
The **09.9503.10** brake disc is synonymous with reliability

The Brembo brake disc is fully interchangeable with an Original Equipment brake disc. The control of the entire production cycle allows Brembo to offer brake discs with outstanding performance levels, reliability, durability and comfort in all conditions of use. All Brembo brake discs are accompanied by the ECE-R90 homologation.

- ✓ OE-equivalent
- ✓ Brembo quality
- ✓ ECE-R90 certificate
- ✓ Safety
- ✓ High carbon



Technical specifications



EAN code
8020584950319

Axle
Front

Diameter Ø
241 mm

Thickness (TH)
18 mm

Height (A)
49 mm

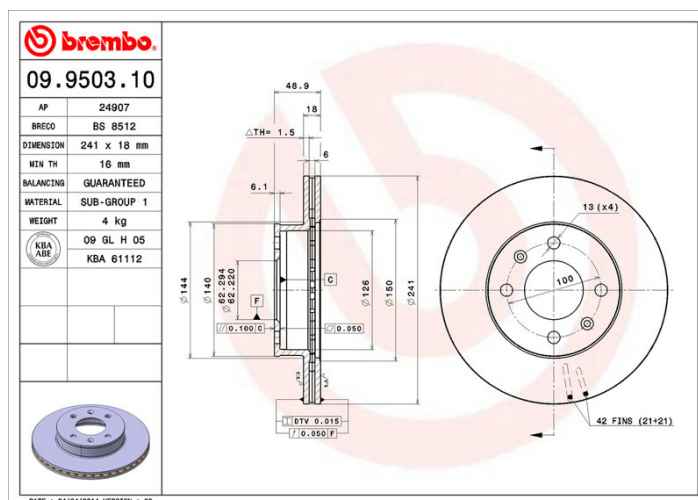
Number of holes (C)
4

Brake disc type
Ventilated

Centering (B)
62 mm

Min. thickness
16 mm

Tightening torque
100 Nm



COMPATIBLE VEHICLES

COMPATIBLE OE PART NUMBERS

517120X500	HYUNDAI
------------	---------

517120X500	INOKOM
------------	--------

5171207500	KIA
------------	-----

55171207500	KIA
-------------	-----

5171207500	NAZA
------------	------

517120X500	NAZA
------------	------