



# BRAKE DISC PAINTED

## 09.A652.11

The 09.A652.11 painted brake disc is synonymous with reliability

The Brembo brake disc with special UV paint treatment guarantees superior corrosion resistance for the product, thanks to the protective coating on the outer edges and on the disc hub. The UV paint not only gives the disc a clean, shiny appearance but is also beneficial for the environment as the water-based UV paint treatment does not require the use of chemical solvents and is a low energy consumption process.

- ✓ OE-equivalent
- ✓ Brembo quality
- ✓ ECE-R90 certificate
- ✓ Safety
- ✓ High carbon
- ✓ Anti-corrosion
- ✓ Fastening screws



### Technical specifications



EAN code  
**8020584028643**

Axle  
**Rear**

Diameter  $\varnothing$   
**256 mm**

Thickness (TH)  
**22 mm**

Height (A)  
**36 mm**

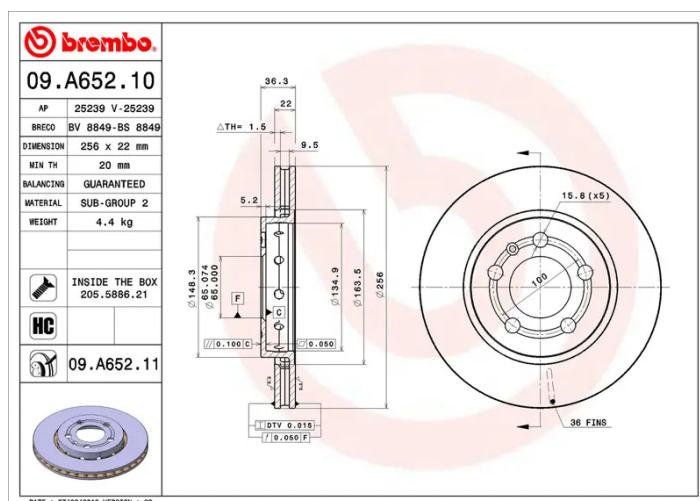
Number of holes (C)  
**5**

Brake disc type  
**Ventilated**

Centering (B)  
**65 mm**

Min. thickness  
**20 mm**

Tightening torque  
**120 Nm**



## COMPATIBLE OE PART NUMBERS

8L0615601	AUDI
-----------	------

8N0615601B	AUDI
------------	------

8L0615601	SEAT
-----------	------

8N0615601B	SEAT
------------	------

8L0615601	SKODA
-----------	-------

8N0615601B	SKODA
------------	-------

8L0615601	VW
-----------	----

8L061601	VW
----------	----

8N0615601B	VW
------------	----

8N0615601B	VW (FAW)
------------	----------