



BRAKE DISC

09.B614.10

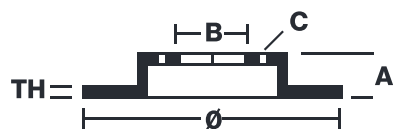
The **09.B614.10** brake disc is synonymous with reliability

The Brembo brake disc is fully interchangeable with an Original Equipment brake disc. The control of the entire production cycle allows Brembo to offer brake discs with outstanding performance levels, reliability, durability and comfort in all conditions of use. All Brembo brake discs are accompanied by the ECE-R90 homologation.

- ✓ OE-equivalent
- ✓ Brembo quality
- ✓ ECE-R90 certificate
- ✓ Safety
- ✓ High carbon
- ✓ Fastening screws



Technical specifications



EAN code
8020584210048

Axle
Front

Diameter Ø
321 mm

Thickness (TH)
28 mm

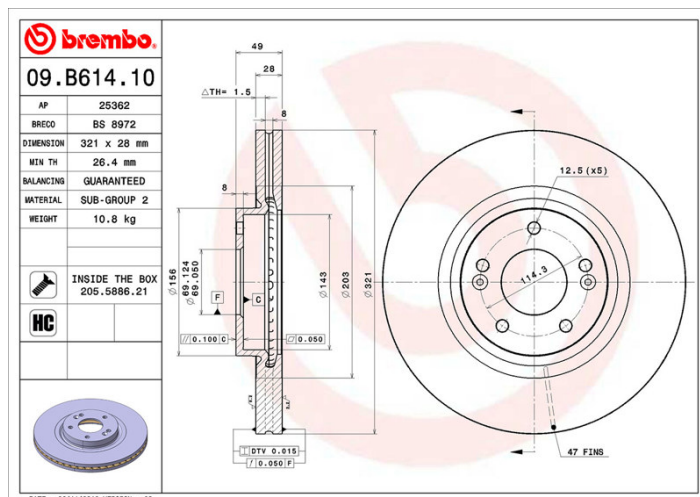
Height (A)
49 mm

Number of holes (C)
5

Brake disc type
Ventilated

Centering (B)
69 mm

Min. thickness
26,4 mm



COMPATIBLE OE PART NUMBERS

517122P700	HYUNDAI
------------	---------

517122W700	HYUNDAI
------------	---------

5517122P700	HYUNDAI
-------------	---------

517122P700	KIA
------------	-----

517122W700	KIA
------------	-----

5517122W700	KIA
-------------	-----
