



BRAKE DISC PAINTED

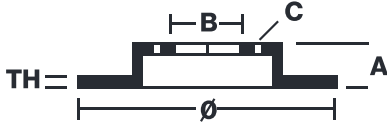
09.D930.11

The 09.D930.11 painted brake disc is synonymous with reliability

The Brembo brake disc with special UV paint treatment guarantees superior corrosion resistance for the product, thanks to the protective coating on the outer edges and on the disc hub. The UV paint not only gives the disc a clean, shiny appearance but is also beneficial for the environment as the water-based UV paint treatment does not require the use of chemical solvents and is a low energy consumption process.

- ✓ OE-equivalent
- ✓ Brembo quality
- ✓ ECE-R90 certificate
- ✓ Safety
- ✓ High carbon
- ✓ Anti-corrosion
- ✓ Fastening screws

Technical specifications



EAN code
8020584312735

Axle
Front left

Diameter Ø
330 mm

Thickness (TH)
28 mm

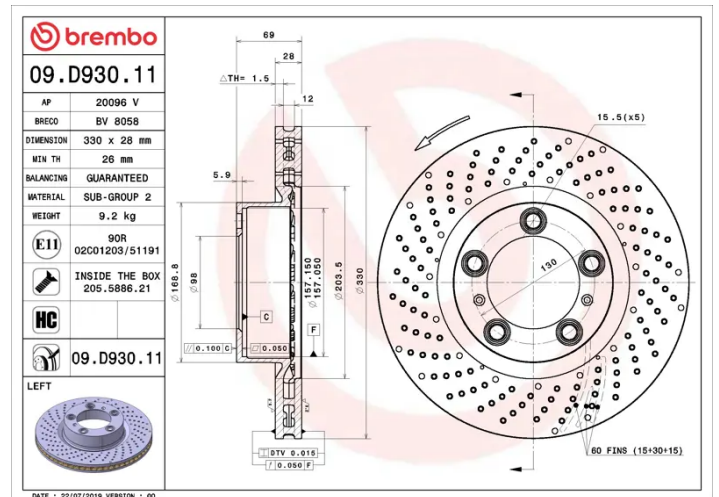
Height (A)
69 mm

Number of holes (C)
5

Brake disc type
Ventilated

Centering (B)
98 mm

Min. thickness
26 mm



COMPATIBLE VEHICLES

COMPATIBLE OE PART NUMBERS

99735140100

PORSCHE

99735140101

PORSCHE
