



# BRAKE DISC PAINTED

## 09.N265.21

The 09.N265.21 painted brake disc is synonymous with reliability

The Brembo brake disc with special UV paint treatment guarantees superior corrosion resistance for the product, thanks to the protective coating on the outer edges and on the disc hub. The UV paint not only gives the disc a clean, shiny appearance but is also beneficial for the environment as the water-based UV paint treatment does not require the use of chemical solvents and is a low energy consumption process.

- ✓ OE-equivalent
- ✓ Brembo quality
- ✓ ECE-R90 certificate
- ✓ Safety
- ✓ High carbon
- ✓ Anti-corrosion
- ✓ PVT ventilation



### Technical specifications



EAN code  
**8020584223178**

Axle  
**Front**

Diameter Ø  
**355 mm**

Thickness (TH)  
**32 mm**

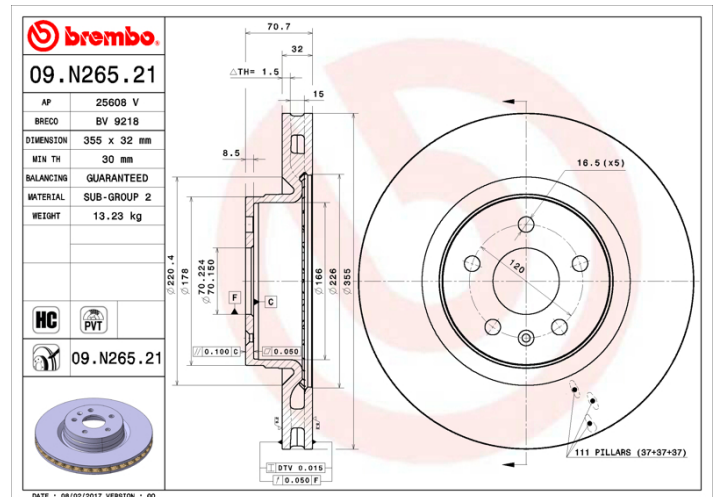
Height (A)  
**71 mm**

Number of holes (C)  
**5**

Brake disc type  
**Ventilated**

Centering (B)  
**70 mm**

Min. thickness  
**30 mm**



**COMPATIBLE VEHICLES**

## COMPATIBLE OE PART NUMBERS

1025099	TESLA
---------	-------

---

102509900B	TESLA
------------	-------

---

6006420	TESLA
---------	-------

---

600642000A	TESLA
------------	-------

---

60064200A	TESLA
-----------	-------

---