



BRAKE PAD PRIME CERAMIC P23077N

The P23077N NAO brake pad is synonymous with reliability

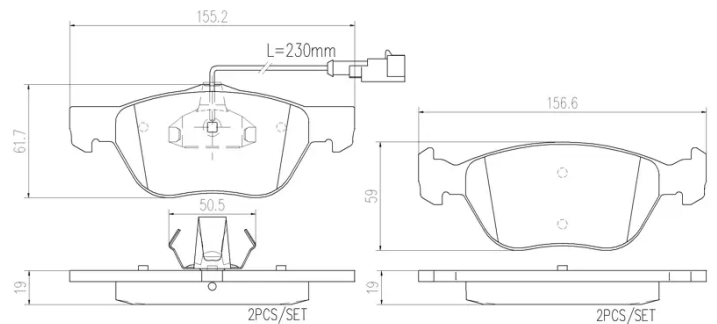
Brembo NAO brake pads stand out for their ultimate braking comfort, reduced friction wear and low dust mission, which makes for cleaner rims and reduced maintenance requirements. The advanced friction material in keeping with the strictest environmental standards is the main distinguishing feature of NAO compounds.

- ✓ OE-equivalent
- ✓ Brembo quality
- ✓ Safety
- ✓ Comfort
- ✓ Durability
- ✓ Dust reduction
- ✓ With accessories



Technical specifications

EAN code 8020584088180	Axle Front	Thickness 19 mm
Width 155 mm	Height 62 mm	Braking system Teves
Wear indicator Electric	WVA number 21637,23289	Accessories With accessories With piston clip With anti-squeal shim



COMPATIBLE VEHICLES

COMPATIBLE OE PART NUMBERS

0009950778 ALFA ROMEO

6001073154 ALFA ROMEO

71713143 ALFA ROMEO

71748388 ALFA ROMEO

71753039 ALFA ROMEO

71753044 ALFA ROMEO

71772208 ALFA ROMEO

71772214 ALFA ROMEO

71772528 ALFA ROMEO

71772532 ALFA ROMEO

77362222 ALFA ROMEO

77362229 ALFA ROMEO

77362331 ALFA ROMEO

9947156 ALFA ROMEO

9947935 ALFA ROMEO

9947955 ALFA ROMEO

9948334 ALFA ROMEO

9948845 ALFA ROMEO

9949132 ALFA ROMEO

9949134 ALFA ROMEO

9950637 ALFA ROMEO

6001073148 FIAT

7087050 FIAT

71752295 FIAT

71752995 FIAT

71772208 FIAT

77362193 FIAT

77362202 FIAT

77362222 FIAT

77362231 FIAT

77362331 FIAT

77362683 FIAT

9947955 FIAT

9948095 FIAT

9948334 FIAT

9948476 FIAT

9950778 FIAT

9951030 FIAT

77362331 LANCIA

9951217 LANCIA