



BRAKE PAD PRIME CERAMIC P30093N

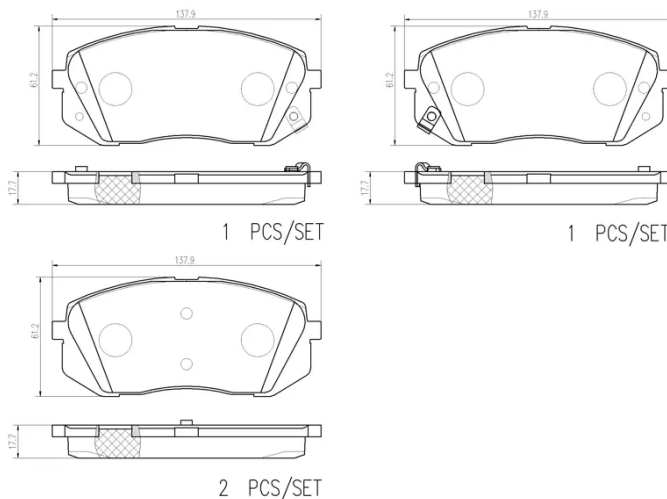
The P30093N NAO brake pad is synonymous with reliability

Brembo NAO brake pads stand out for their ultimate braking comfort, reduced friction wear and low dust mission, which makes for cleaner rims and reduced maintenance requirements. The advanced friction material in keeping with the strictest environmental standards is the main distinguishing feature of NAO compounds.

- ✓ OE-equivalent
- ✓ Brembo quality
- ✓ Safety
- ✓ Comfort
- ✓ Durability
- ✓ Dust reduction
- ✓ With accessories

Technical specifications

EAN code 8020584118634	Axle Front	Thickness 18 mm
Width 138 mm	Height 61 mm	Braking system Sumitomo
Wear indicator Acoustic	WVA number 24501,25205,25206	Accessories With anti-squeal shim With brake caliper bolts



COMPATIBLE VEHICLES

COMPATIBLE OE PART NUMBERS

58101C2A10 HYUNDAI

58101D4A20 HYUNDAI

58101D7A00 HYUNDAI

58101E5A10 HYUNDAI

58101E6A10 HYUNDAI

58101G3A10 HYUNDAI

58101J3A10 HYUNDAI

58101J9A10 HYUNDAI

58101J9A60 HYUNDAI

58101K4A10 HYUNDAI

581011DA21 KIA

58101A8A15 KIA

58101B2A30 KIA

58101D4A15 KIA

58101D4A25 KIA

58101D5A10 KIA

58101D7A00 KIA

58101D7A60 KIA

58101D7A70 KIA

58101E4A50 KIA

58101J7A30 KIA

58101J9A65 KIA
