



BRAKE PAD PRIME CERAMIC P36022N

The P36022N NAO brake pad is synonymous with reliability

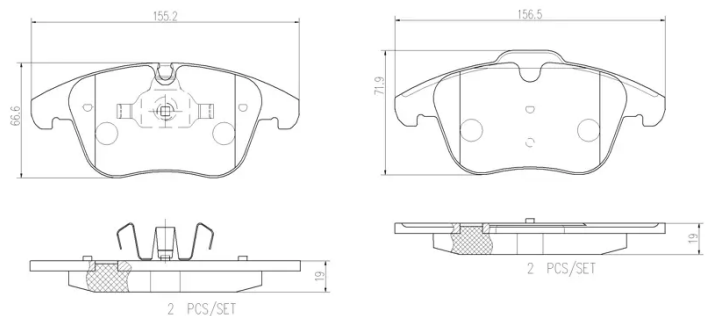
Brembo NAO brake pads stand out for their ultimate braking comfort, reduced friction wear and low dust mission, which makes for cleaner rims and reduced maintenance requirements. The advanced friction material in keeping with the strictest environmental standards is the main distinguishing feature of NAO compounds.

- ✓ OE-equivalent
- ✓ Brembo quality
- ✓ Safety
- ✓ Comfort
- ✓ Durability
- ✓ Dust reduction
- ✓ With accessories



Technical specifications

EAN code 8020584083055	Axle Front	Thickness 19 mm
Width 155 mm	Height 67 mm	Braking system Teves
Wear indicator Prepared for wear indicator	WVA number 24084,24326	Accessories With anti-squeal shim With piston clip



COMPATIBLE VEHICLES

COMPATIBLE OE PART NUMBERS

C2C039929 JAGUAR

C2C27290 JAGUAR

C2C35612 JAGUAR

C2C39929 JAGUAR

C2C42014 JAGUAR

10598868 MG (SAIC)

10248966 ROEWE (SAIC)

10598868 ROEWE (SAIC)
