



# BRAKE PAD PRIME CERAMIC P36038N

The P36038N NAO brake pad is synonymous with reliability

Brembo NAO brake pads stand out for their ultimate braking comfort, reduced friction wear and low dust mission, which makes for cleaner rims and reduced maintenance requirements. The advanced friction material in keeping with the strictest environmental standards is the main distinguishing feature of NAO compounds.

- ✓ OE-equivalent
- ✓ Brembo quality
- ✓ Safety
- ✓ Comfort
- ✓ Durability
- ✓ Dust reduction
- ✓ With accessories

## Technical specifications

EAN code  
**8020584124680**

Axle  
**Front**

Thickness  
**20 mm**

Width  
**177 mm**

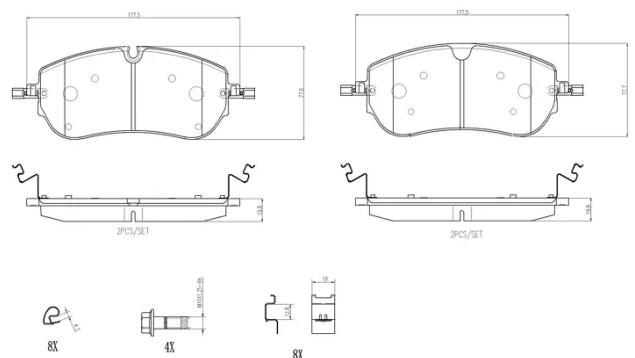
Height  
**77 mm**

Braking system  
**CBI**

Wear indicator  
**Prepared for wear indicator**

WVA number  
**26510,26511**

Accessories  
**With accessories  
With anti-squeal shim  
With brake caliper bolts**



COMPATIBLE VEHICLES

## COMPATIBLE OE PART NUMBERS

J9C26726 JAGUAR

---

J9C33342 JAGUAR

---

J9C37915 JAGUAR

---

LR140696 LAND ROVER

---

LR160477 LAND ROVER

---

LR174900 LAND ROVER

---