



# BRAKE PAD NAO P44014N

The P44014N NAO brake pad is synonymous with reliability

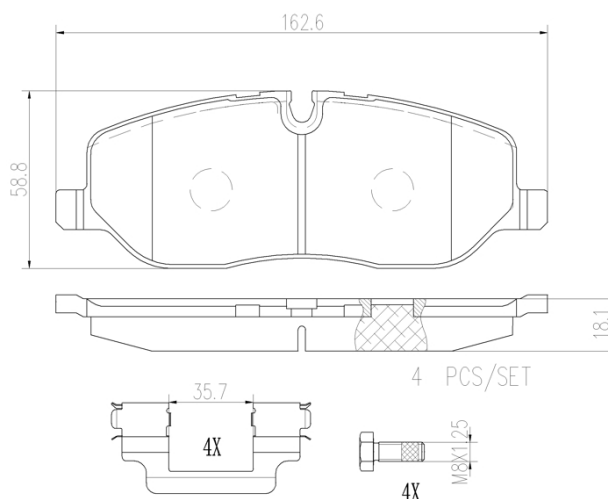
Brembo NAO brake pads stand out for their ultimate braking comfort, reduced friction wear and low dust mission, which makes for cleaner rims and reduced maintenance requirements. The advanced friction material in keeping with the strictest environmental standards is the main distinguishing feature of NAO compounds.

- ✓ OE-equivalent
- ✓ Brembo quality
- ✓ Safety
- ✓ Comfort
- ✓ Durability
- ✓ Dust reduction
- ✓ With accessories



## Technical specifications

EAN code <b>8020584098288</b>	Axle <b>Front</b>	Thickness <b>18 mm</b>
Width <b>163 mm</b>	Height <b>59 mm</b>	Braking system <b>Lucas</b>
Wear indicator <b>Prepared for wear indicator</b>	WVA number <b>24191</b>	Accessories <b>With accessories</b> <b>With anti-squeal shim</b> <b>With brake caliper bolts</b>



COMPATIBLE VEHICLES

## COMPATIBLE OE PART NUMBERS

LR019618 LAND ROVER

---

LR134694 LAND ROVER

---

SFP5000010 LAND ROVER

---

SFP500010 LAND ROVER

---