



# BRAKE PAD NAO P44019N

The P44019N NAO brake pad is synonymous with reliability

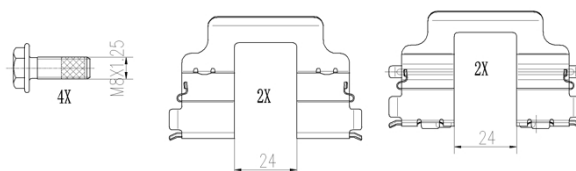
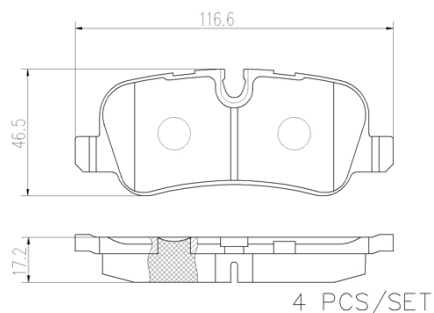
Brembo NAO brake pads stand out for their ultimate braking comfort, reduced friction wear and low dust mission, which makes for cleaner rims and reduced maintenance requirements. The advanced friction material in keeping with the strictest environmental standards is the main distinguishing feature of NAO compounds.

- ✓ OE-equivalent
- ✓ Brembo quality
- ✓ Safety
- ✓ Comfort
- ✓ Durability
- ✓ Dust reduction
- ✓ With accessories



## Technical specifications

EAN code <b>8020584080368</b>	Axle <b>Rear</b>	Thickness <b>17 mm</b>
Width <b>117 mm</b>	Height <b>47 mm</b>	Braking system <b>Lucas</b>
Wear indicator <b>Prepared for wear indicator</b>	WVA number <b>24192</b>	Accessories <b>With accessories With brake caliper bolts With anti-squeal shim</b>



**COMPATIBLE VEHICLES**

## COMPATIBLE OE PART NUMBERS

LR012993 LAND ROVER

---

LR015519 LAND ROVER

---

LR032060 LAND ROVER

---

LR032377 LAND ROVER

---

LR055455 LAND ROVER

---

LR139969 LAND ROVER

---