



# BRAKE PAD NAO P44021N

**The P44021N NAO brake pad is synonymous with reliability**

Brembo NAO brake pads stand out for their ultimate braking comfort, reduced friction wear and low dust mission, which makes for cleaner rims and reduced maintenance requirements. The advanced friction material in keeping with the strictest environmental standards is the main distinguishing feature of NAO compounds.

- ✓ OE-equivalent
- ✓ Brembo quality
- ✓ Safety
- ✓ Comfort
- ✓ Durability
- ✓ Dust reduction
- ✓ With accessories



## Technical specifications

EAN code  
**8020584083062**

Axle  
**Rear**

Thickness  
**17 mm**

Width  
**131 mm**

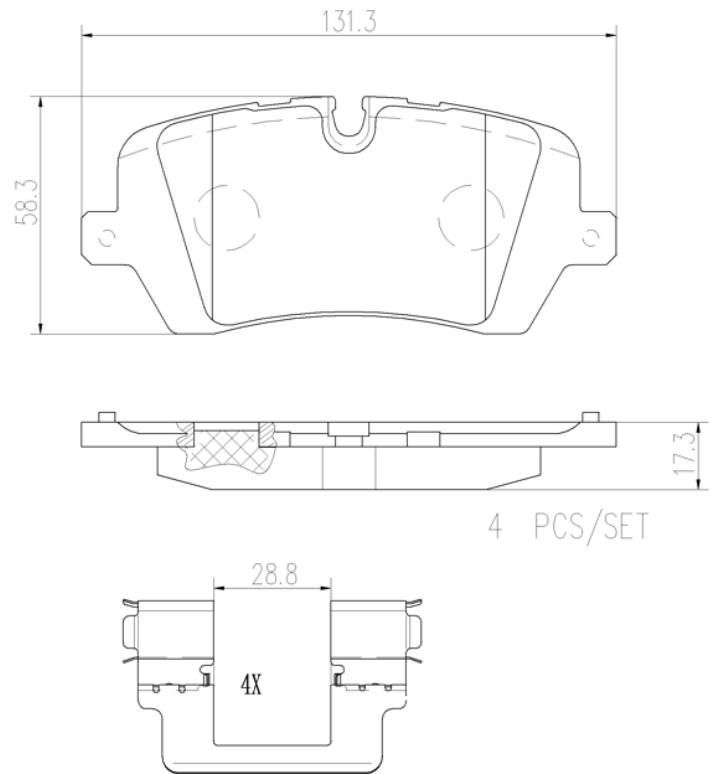
Height  
**58 mm**

Braking system  
**TRW**

Wear indicator  
**Prepared for wear indicator**

WVA number  
**25720**

Accessories  
**With anti-squeal shim**  
**With accessories**



## COMPATIBLE VEHICLES

## COMPATIBLE OE PART NUMBERS

LR036574	LAND ROVER
LR065492	LAND ROVER
LR068303	LAND ROVER
LR079910	LAND ROVER
LR079935	LAND ROVER
LR084118	LAND ROVER
LR106326	LAND ROVER
LR108260	LAND ROVER
LR123717	LAND ROVER
LR139173	LAND ROVER
LR146155	LAND ROVER
LR146247	LAND ROVER
LR147981	LAND ROVER
LR162042	LAND ROVER
LR162043	LAND ROVER
LR162046	LAND ROVER
LR162047	LAND ROVER
LR162048	LAND ROVER
LR164821	LAND ROVER