



BRAKE PAD PRIME CERAMIC P44028N

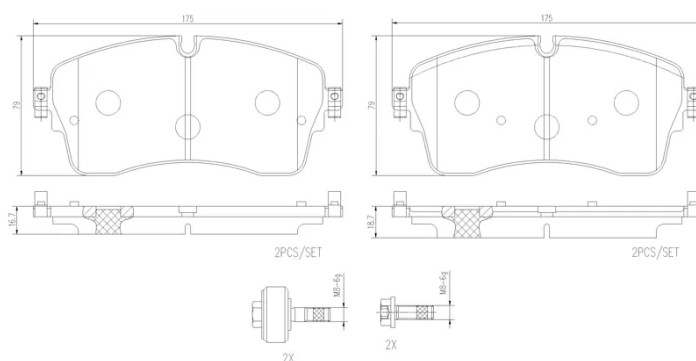
The P44028N NAO brake pad is synonymous with reliability

Brembo NAO brake pads stand out for their ultimate braking comfort, reduced friction wear and low dust mission, which makes for cleaner rims and reduced maintenance requirements. The advanced friction material in keeping with the strictest environmental standards is the main distinguishing feature of NAO compounds.

- ✓ OE-equivalent
- ✓ Brembo quality
- ✓ Safety
- ✓ Comfort
- ✓ Durability
- ✓ Dust reduction
- ✓ With accessories

Technical specifications

EAN code 8020584119327	Axle Front	Thickness 17 mm
Width 175 mm	Height 79 mm	Braking system ATE
Wear indicator Without	WVA number 22485,22486	Accessories With accessories With anti-squeal shim With brake caliper bolts



COMPATIBLE VEHICLES

COMPATIBLE OE PART NUMBERS

J9C21385 JAGUAR

J9C35094 JAGUAR

JDE39759 JAGUAR

HJ322K021EA LAND ROVER

JPLA2K021CA LAND ROVER

LR091308 LAND ROVER

LR091568 LAND ROVER

LR110409 LAND ROVER

LR128251 LAND ROVER

LR134638 LAND ROVER

LR134644 LAND ROVER

LR139155 LAND ROVER

LR162044 LAND ROVER

LR162045 LAND ROVER

LR164029 LAND ROVER
