



# BRAKE PAD PRIME CERAMIC P79008N

The P79008N NAO brake pad is synonymous with reliability

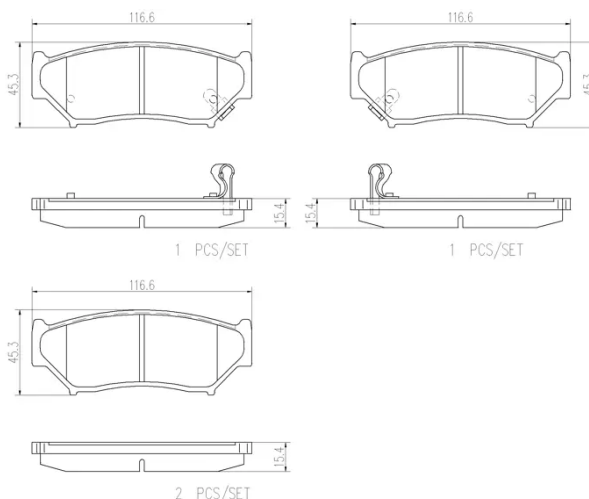
Brembo NAO brake pads stand out for their ultimate braking comfort, reduced friction wear and low dust mission, which makes for cleaner rims and reduced maintenance requirements. The advanced friction material in keeping with the strictest environmental standards is the main distinguishing feature of NAO compounds.

- ✓ OE-equivalent
- ✓ Brembo quality
- ✓ Safety
- ✓ Comfort
- ✓ Durability
- ✓ Dust reduction
- ✓ With accessories



## Technical specifications

EAN code <b>8020584112380</b>	Axle <b>Front</b>	Thickness <b>15 mm</b>
Width <b>117 mm</b>	Height <b>45 mm</b>	Braking system <b>Akebono</b>
Wear indicator <b>Acoustic</b>	WVA number <b>21909,21908,21907</b>	Accessories <b>With anti-squeal shim</b>



COMPATIBLE VEHICLES

## COMPATIBLE OE PART NUMBERS

91174817	CHEVROLET
91177389	CHEVROLET
91172694	GENERAL MOTORS
91177389	GEO
1A513323Z	MAZDA
1A513323ZA	MAZDA
AY0405U001	NISSAN
5520056820	SUZUKI
5520056820000	SUZUKI
552005683	SUZUKI
5520056830	SUZUKI
5520056831	SUZUKI
5520056831000	SUZUKI
5520056840	SUZUKI
5520056840000	SUZUKI
5520056870	SUZUKI
5520056870000	SUZUKI
5520056870DOM	SUZUKI
5520056871	SUZUKI
5520056871000	SUZUKI
5520056B40	SUZUKI
5520056B41	SUZUKI
5520056B41000	SUZUKI
5520056B42	SUZUKI
5520065830	SUZUKI
5520065830000	SUZUKI
5520065D00	SUZUKI
5520065D00000	SUZUKI
5520065D01	SUZUKI
5520065D01000	SUZUKI
5520065D20	SUZUKI
5520065D20000	SUZUKI
5520065D21	SUZUKI
5520065D21000	SUZUKI
5520067D00	SUZUKI
5520067D00000	SUZUKI
5520084A00	SUZUKI
5520084A00000	SUZUKI