



BRAKE PAD PRIME CERAMIC P83141N

The P83141N NAO brake pad is synonymous with reliability

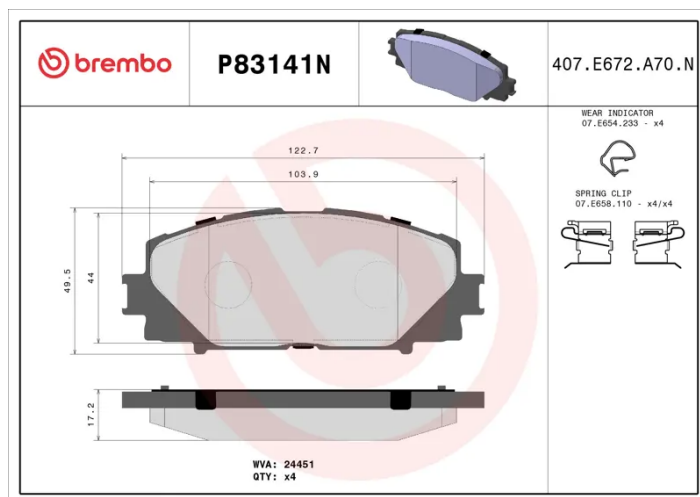
Brembo NAO brake pads stand out for their ultimate braking comfort, reduced friction wear and low dust mission, which makes for cleaner rims and reduced maintenance requirements. The advanced friction material in keeping with the strictest environmental standards is the main distinguishing feature of NAO compounds.

- ✓ OE-equivalent
- ✓ Brembo quality
- ✓ Safety
- ✓ Comfort
- ✓ Durability
- ✓ Dust reduction
- ✓ With accessories



Technical specifications

EAN code 8020584089897	Axle Front	Thickness 17 mm
Width 123 mm	Height 50 mm	Braking system Akebono
Wear indicator Acoustic	WVA number 24451	Accessories With anti-squeal shim



COMPATIBLE VEHICLES

COMPATIBLE OE PART NUMBERS

SA35001	LIFAN
04465B1350	PERODUA
04465B1355	PERODUA
044650D110	TOYOTA
044650D140	TOYOTA
0446512640	TOYOTA
0446552180	TOYOTA
0446552200	TOYOTA
0446552320	TOYOTA
0446552350	TOYOTA
0446562260	TOYOTA
0446574040	TOYOTA
04465B1350	TOYOTA
044650D110	TOYOTA (GAC)