



BRAKE PAD

P 06 042

The P 06 042 brake pad is synonymous with reliability

The Brembo brake pad guarantees ultimate safety when braking thanks to the use of more than 100 different compounds, designed according to the type of vehicle and use. Stopping distances reduced to a minimum, maximum driving comfort and silent operation are the most important features of Brembo materials. Brembo brake pads are supplied together with an extensive range of accessories and assembly kits for professional-standard installation.

- ✓ OE-equivalent
- ✓ Brembo quality
- ✓ ECE-R90 certificate
- ✓ Safety
- ✓ Performance
- ✓ Comfort
- ✓ With accessories



Technical specifications

EAN code
8020584059906

Axle
Front

Thickness
20 mm

Width
155 mm

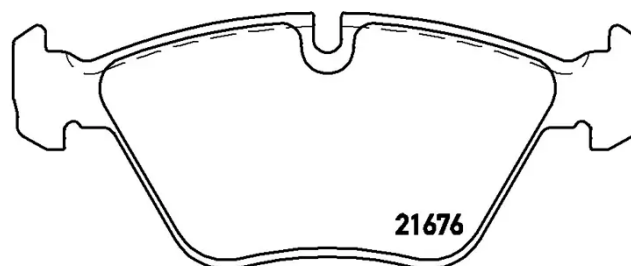
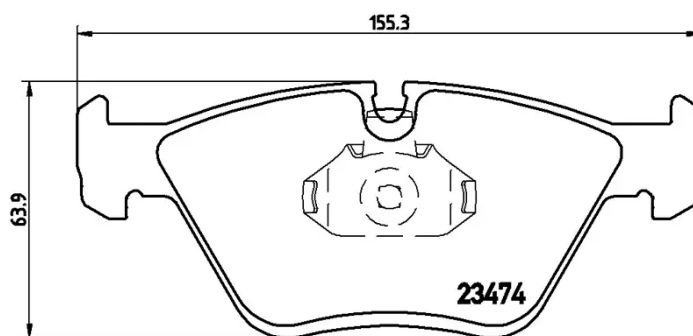
Height
64 mm

Braking system
Teves

Wear indicator
Prepared for wear indicator

WVA number
21676,23474

Accessories
With piston clip
With accessories
With anti-squeal shim



COMPATIBLE OE PART NUMBERS

34112282415	BMW
-------------	-----

34112282995	BMW
-------------	-----

34116754705	BMW
-------------	-----
