



# BRAKE PAD

## P 06 113

The P 06 113 brake pad is synonymous with reliability

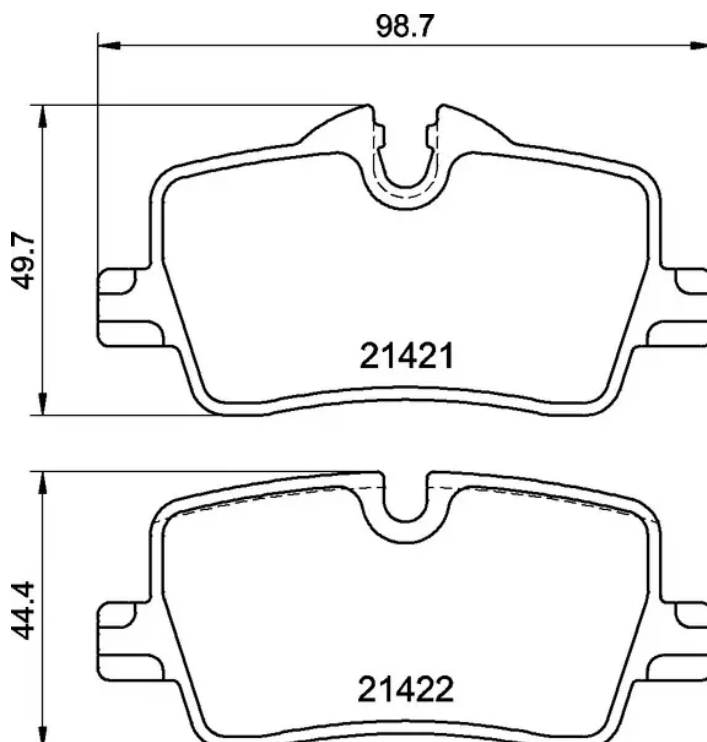
The Brembo brake pad guarantees ultimate safety when braking thanks to the use of more than 100 different compounds, designed according to the type of vehicle and use. Stopping distances reduced to a minimum, maximum driving comfort and silent operation are the most important features of Brembo materials. Brembo brake pads are supplied together with an extensive range of accessories and assembly kits for professional-standard installation.



- ✓ OE-equivalent
- ✓ Brembo quality
- ✓ ECE-R90 certificate
- ✓ Safety
- ✓ Performance
- ✓ Comfort
- ✓ With accessories

### Technical specifications

EAN code	Axle	Thickness
<b>8020584117835</b>	<b>Rear</b>	<b>17 mm</b>
Width	Height	Braking system
<b>99 mm</b>	<b>44 mm</b>	<b>TRW</b>
Wear indicator	WVA number	Accessories
<b>Prepared for wear indicator</b>	<b>21421,21422</b>	<b>With accessories</b> <b>With anti-squeal shim</b> <b>With brake caliper bolts</b>



## COMPATIBLE OE PART NUMBERS

3420688825 BMW

34208844393 BMW