



# BRAKE PAD

## P 23 139

**The P 23 139 brake pad is synonymous with reliability**

The Brembo brake pad guarantees ultimate safety when braking thanks to the use of more than 100 different compounds, designed according to the type of vehicle and use. Stopping distances reduced to a minimum, maximum driving comfort and silent operation are the most important features of Brembo materials. Brembo brake pads are supplied together with an extensive range of accessories and assembly kits for professional-standard installation.

- ✓ OE-equivalent
- ✓ Brembo quality
- ✓ ECE-R90 certificate
- ✓ Safety
- ✓ Performance
- ✓ Comfort



## Technical specifications

EAN code  
**8020584108789**

Axle  
**Front**

Thickness  
**15 mm**

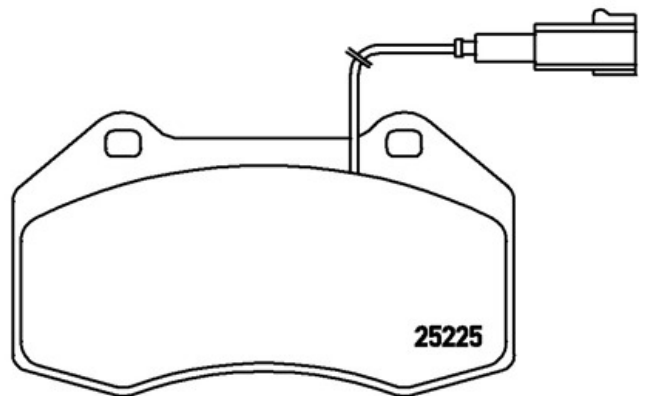
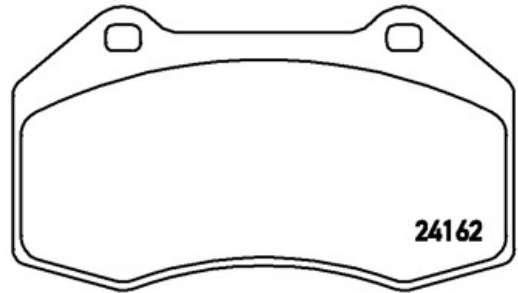
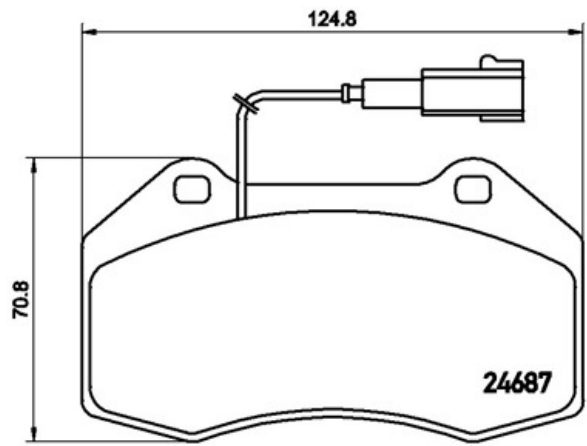
Width  
**125 mm**

Height  
**71 mm**

Braking system  
**Brembo**

Wear indicator  
**Electric**

WVA number  
**24162,25225,24687**



COMPATIBLE VEHICLES

## COMPATIBLE OE PART NUMBERS

71773661 ABARTH

---

77366290 ABARTH

---

77368657 ABARTH

---

0000077366718 ALFA ROMEO

---

0000077367517 ALFA ROMEO

---

00K68243338AA ALFA ROMEO

---

00K68299392AA ALFA ROMEO

---

68243338AA ALFA ROMEO

---

68299392AA ALFA ROMEO

---

77365672 ALFA ROMEO

---

77366718 ALFA ROMEO

---

77367517 ALFA ROMEO

---

51934099 FIAT

---

71765466 FIAT

---

77365672 FIAT

---

77365830 FIAT

---