



# BRAKE PAD

## P 24 069

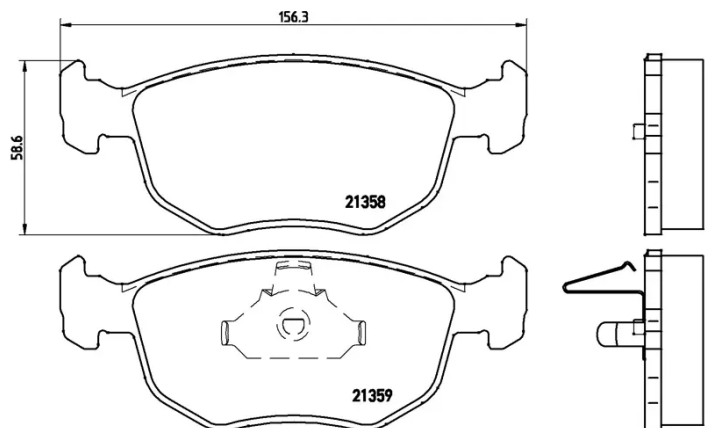
The P 24 069 brake pad is synonymous with reliability

The Brembo brake pad guarantees ultimate safety when braking thanks to the use of more than 100 different compounds, designed according to the type of vehicle and use. Stopping distances reduced to a minimum, maximum driving comfort and silent operation are the most important features of Brembo materials. Brembo brake pads are supplied together with an extensive range of accessories and assembly kits for professional-standard installation.

- ✓ OE-equivalent
- ✓ Brembo quality
- ✓ ECE-R90 certificate
- ✓ Safety
- ✓ Performance
- ✓ Comfort

### Technical specifications

EAN code	Axle	Thickness
<b>8020584060421</b>	<b>Front</b>	<b>20 mm</b>
Width	Height	Braking system
<b>156 mm</b>	<b>59 mm</b>	<b>Teves</b>
Wear indicator	WVA number	Accessories
<b>Without</b>	<b>21358,21579</b>	<b>With anti-squeal shim</b>



COMPATIBLE VEHICLES

## COMPATIBLE OE PART NUMBERS

1022077 FORD

---

1097768 FORD

---

258Z2001BA FORD

---

6668587 FORD

---

6687176 FORD

---

7204067 FORD

---

93BB2K021BB FORD

---

93BX2K021BB FORD

---

95GB2K021AA FORD

---

V92AB2K021AA FORD

---