



BRAKE PAD

P 37 019

The P 37 019 brake pad is synonymous with reliability

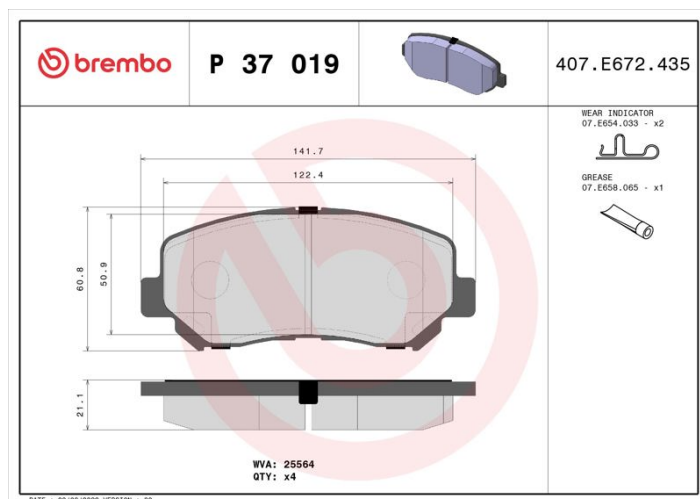
The Brembo brake pad guarantees ultimate safety when braking thanks to the use of more than 100 different compounds, designed according to the type of vehicle and use. Stopping distances reduced to a minimum, maximum driving comfort and silent operation are the most important features of Brembo materials. Brembo brake pads are supplied together with an extensive range of accessories and assembly kits for professional-standard installation.

- ✓ OE-equivalent
- ✓ Brembo quality
- ✓ ECE-R90 certificate
- ✓ Safety
- ✓ Performance
- ✓ Comfort
- ✓ With accessories



Technical specifications

EAN code 8020584081020	Axle Front	Thickness 21 mm
Width 142 mm	Height 61 mm	Braking system Akebono
Wear indicator Acoustic	WVA number 25564	Accessories With anti-squeal shim With accessories



COMPATIBLE VEHICLES

COMPATIBLE OE PART NUMBERS

00K68240669AB	CHRYSLER
---------------	----------

68240669AA	CHRYSLER
------------	----------

68240669AB	CHRYSLER
------------	----------

K68160695AA	CHRYSLER
-------------	----------

00K68225170AA	JEEP
---------------	------

00K68225170AB	JEEP
---------------	------

00K68225170AC	JEEP
---------------	------

00K68225170AD	JEEP
---------------	------

00K68225170AE	JEEP
---------------	------

2AMV1170AC	JEEP
------------	------

2AMV1170AD	JEEP
------------	------

68225170AA	JEEP
------------	------

68225170AB	JEEP
------------	------

68225170AC	JEEP
------------	------

68225170AD	JEEP
------------	------

68225170AE	JEEP
------------	------

68225170AF	JEEP
------------	------

68518750AA	JEEP
------------	------

K68225170AA	JEEP
-------------	------

K68225170AB	JEEP
-------------	------

K68225170AC	JEEP
-------------	------

2AMV1170AC	JEEP (GAC FCA)
------------	----------------

68225170AD	JEEP (GAC FCA)
------------	----------------

V1015170AC	JEEP (GAC FCA)
------------	----------------