



BRAKE PAD

P 59 079

The P 59 079 brake pad is synonymous with reliability

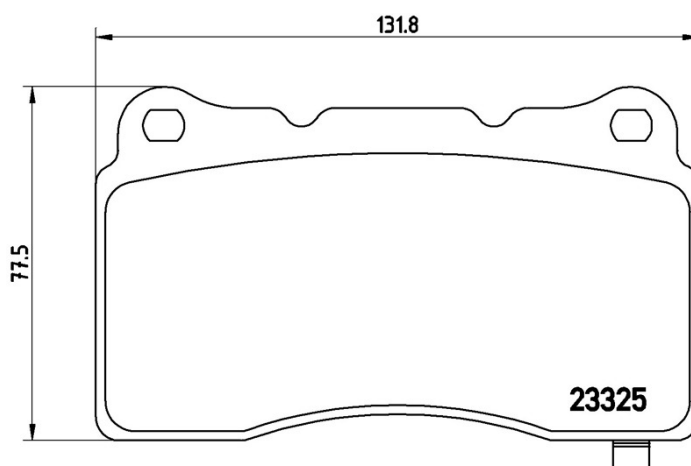
The Brembo brake pad guarantees ultimate safety when braking thanks to the use of more than 100 different compounds, designed according to the type of vehicle and use. Stopping distances reduced to a minimum, maximum driving comfort and silent operation are the most important features of Brembo materials. Brembo brake pads are supplied together with an extensive range of accessories and assembly kits for professional-standard installation.

- ✓ OE-equivalent
- ✓ Brembo quality
- ✓ ECE-R90 certificate
- ✓ Safety
- ✓ Performance
- ✓ Comfort



Technical specifications

EAN code	Axle	Thickness
8020584103517	Front and rear	16 mm
Width	Height	Braking system
132 mm	78 mm	Brembo
Wear indicator	WVA number	
Acoustic	23325	



COMPATIBLE VEHICLES

COMPATIBLE OE PART NUMBERS

84233021 BUICK (SGM)

93737098 BUICK (SGM)

22791925 CADILLAC

22866931 CADILLAC

23145627 CADILLAC

23271117 CADILLAC

84051821 CADILLAC (SGM)

84060417 CADILLAC (SGM)

84308335 CADILLAC (SGM)

4G7Z2001AA FORD

581012MA10 HYUNDAI

581012MA10 MITSUBISHI

13329562 OPEL

13411116 OPEL

1605100 OPEL

1605175 OPEL

105506600C TESLA

105506600D TESLA

106833000A TESLA

106833000B TESLA

106833000C TESLA

6002453 TESLA
