



## CC BRAKE PAD 07HO3005

The 07HO3005 brake pad is synonymous with reliability

the evolution of the organic compound, using more carbon. High mileage, excellent hot and cold performance, in dry and wet conditions alike

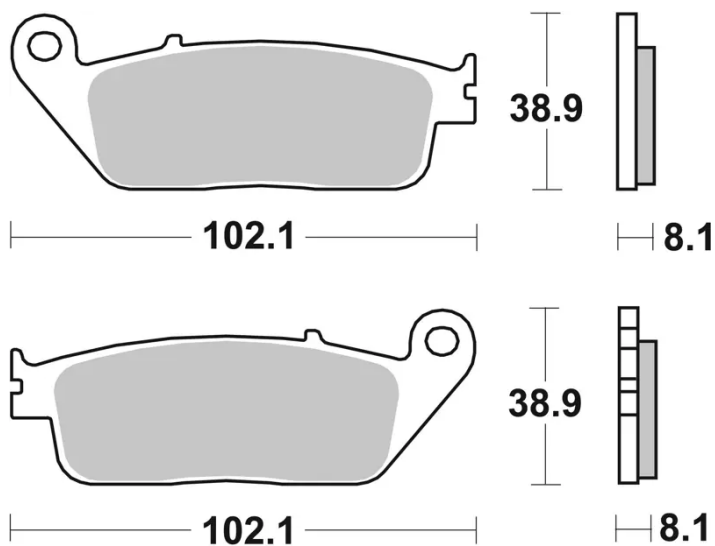
- ✓ OE-equivalent
- ✓ Brembo quality
- ✓ ECE-R90 certificate
- ✓ Safety
- ✓ Comfort
- ✓ Durability



### Technical specifications

Width	Height	Thickness
mm	<b>38,9 mm</b>	<b>8,1 mm</b>

Compound	Units per box
<b>Carbon ceramic</b>	<b>2</b>



COMPATIBLE VEHICLES