



BRAKE DISC PAINTED

08.9769.11

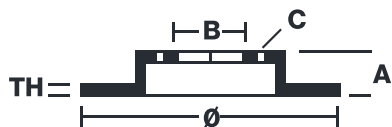
The 08.9769.11 painted brake disc is synonymous with reliability

The Brembo brake disc with special UV paint treatment guarantees superior corrosion resistance for the product, thanks to the protective coating on the outer edges and on the disc hub. The UV paint not only gives the disc a clean, shiny appearance but is also beneficial for the environment as the water-based UV paint treatment does not require the use of chemical solvents and is a low energy consumption process.

- ✓ OE-equivalent
- ✓ Brembo quality
- ✓ ECE-R90 certificate
- ✓ Safety
- ✓ Anti-corrosion
- ✓ Fastening screws



Technical specifications



EAN code
8020584018101

Axle
Rear

Diameter \varnothing
286 mm

Thickness (TH)
12 mm

Height (A)
58 mm

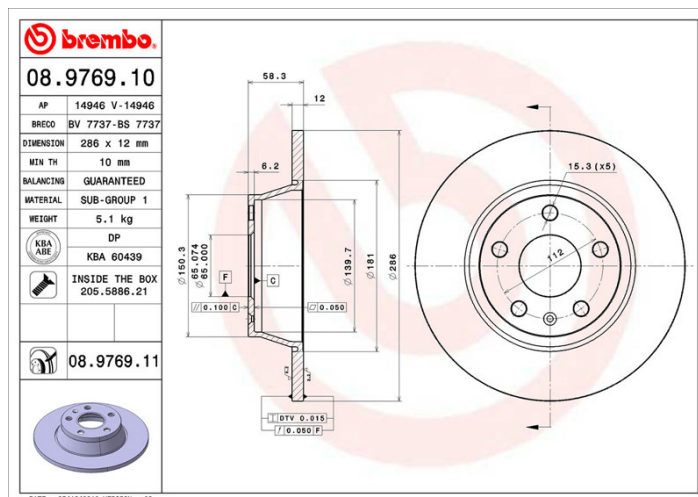
Number of holes (C)
5

Brake disc type
Solid

Centering (B)
65 mm

Min. thickness
10 mm

Tightening torque
120 Nm



COMPATIBLE VEHICLES

COMPATIBLE OE PART NUMBERS

8J0615601

AUDI
