



BRAKE DISC PAINTED

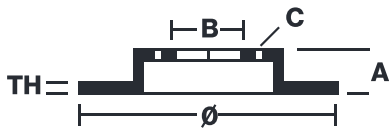
08.B413.1E

The 08.B413.1E painted brake disc is synonymous with reliability

The Brembo brake disc with special UV paint treatment guarantees superior corrosion resistance for the product, thanks to the protective coating on the outer edges and on the disc hub. The UV paint not only gives the disc a clean, shiny appearance but is also beneficial for the environment as the water-based UV paint treatment does not require the use of chemical solvents and is a low energy consumption process.

- ✓ OE-equivalent
- ✓ Brembo quality
- ✓ ECE-R90 certificate
- ✓ Safety
- ✓ Anti-corrosion
- ✓ Fastening screws

Technical specifications



EAN code
8020584319420

Axle
Rear

Diameter Ø
272 mm

Thickness (TH)
10 mm


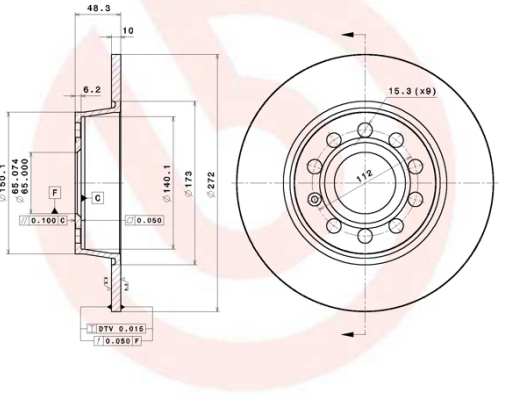

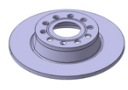


Height (A)
48,3 mm

Number of holes (C)
9

Brake disc type
Solid

Centering (B)
65 mm

Min. thickness
8 mm

		08.B413.1E	
DIMENSION	272 x 10 mm		
MIN TH	8 mm		
BALANCING	GUARANTEED		
MATERIAL	SUB-GROUP 1		
WEIGHT	3.8 kg		
	90R 02C01202/25301		
	INSIDE THE BOX 205.5886.21		
	08.B413.1E	DATE : 14/12/2021 VERSION : 00	