



BRAKE DISC

08.C647.17

The **08.C647.17** brake disc is synonymous with reliability

The Brembo brake disc is fully interchangeable with an Original Equipment brake disc. The control of the entire production cycle allows Brembo to offer brake discs with outstanding performance levels, reliability, durability and comfort in all conditions of use. All Brembo brake discs are accompanied by the ECE-R90 homologation.

- ✓ OE-equivalent
- ✓ Brembo quality
- ✓ ECE-R90 certificate
- ✓ Safety
- ✓ Bearing kit



Technical specifications



EAN code
8020584239353

Axle
Rear

Diameter \varnothing
280 mm

Thickness (TH)
12 mm

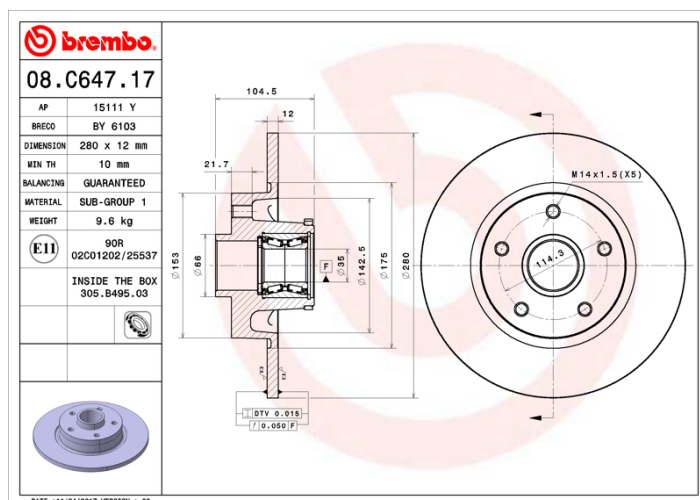
Height (A)
105 mm

Number of holes (C)
5

Brake disc type
Solid

Centering (B)
35 mm

Min. thickness
10 mm



COMPATIBLE VEHICLES

COMPATIBLE OE PART NUMBERS

6000620071 FIAT

4320600Q0H NISSAN

4320600Q0M NISSAN

4422288 OPEL

95516956 OPEL

95523187 OPEL

432007343R RENAULT

432022742R RENAULT

8660003914 RENAULT

95516956 VAUXHALL

95523187 VAUXHALL
