



# BRAKE DISC

## 09.7939.24

The **09.7939.24** brake disc is synonymous with reliability

The Brembo brake disc is fully interchangeable with an Original Equipment brake disc. The control of the entire production cycle allows Brembo to offer brake discs with outstanding performance levels, reliability, durability and comfort in all conditions of use. All Brembo brake discs are accompanied by the ECE-R90 homologation.

- ✓ OE-equivalent
- ✓ Brembo quality
- ✓ ECE-R90 certificate
- ✓ Safety



### Technical specifications



EAN code  
**8020584793923**

Axle  
**Front**

Diameter  $\varnothing$   
**276** mm

Thickness (TH)  
**24** mm

Height (A)  
**45** mm

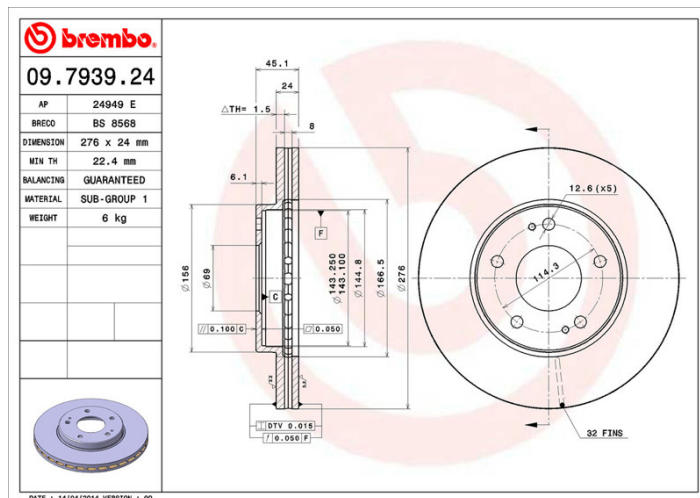
Number of holes (C)  
**5**

Brake disc type  
**Ventilated**

Centering (B)  
**69** mm

Min. thickness  
**22,4** mm

Tightening torque  
**100** Nm



COMPATIBLE VEHICLES

## COMPATIBLE OE PART NUMBERS

**MB895444**                      MITSUBISHI

---

**MB928243**                      MITSUBISHI

---

**MR389727**                      MITSUBISHI

---

**MR449817**                      MITSUBISHI

---

**MR449818**                      MITSUBISHI

---