



BRAKE DISC

09.A532.10

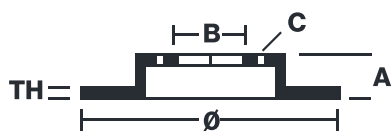
The **09.A532.10** brake disc is synonymous with reliability

The Brembo brake disc is fully interchangeable with an Original Equipment brake disc. The control of the entire production cycle allows Brembo to offer brake discs with outstanding performance levels, reliability, durability and comfort in all conditions of use. All Brembo brake discs are accompanied by the ECE-R90 homologation.

- ✓ OE-equivalent
- ✓ Brembo quality
- ✓ ECE-R90 certificate
- ✓ Safety
- ✓ Fastening screws



Technical specifications



EAN code
8020584028483

Axle
Front

Diameter Ø
300 mm

Thickness (TH)
28 mm

Height (A)
47 mm

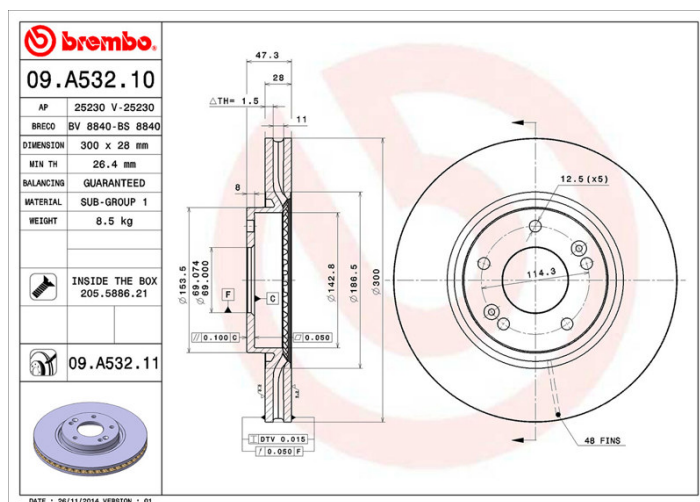
Number of holes (C)
5

Brake disc type
Ventilated

Centering (B)
69 mm

Min. thickness
26,4 mm

Tightening torque
100 Nm



COMPATIBLE VEHICLES

COMPATIBLE OE PART NUMBERS

517122Y000 HYUNDAI

517123K100 HYUNDAI

517123K110 HYUNDAI

517123K150 HYUNDAI

517123K160 HYUNDAI

5517123K160A HYUNDAI

517123K110 HYUNDAI (BEIJING)

517123K160 HYUNDAI (BEIJING)

517122Y000 KIA

517123K100 KIA

517123K110 KIA

517123K150 KIA

517123K160 KIA

5517123K160 KIA

5517123K160A KIA

517123K110 KIA (DYK)

517123K160 KIA (DYK)
