



BRAKE DISC

09.A966.10

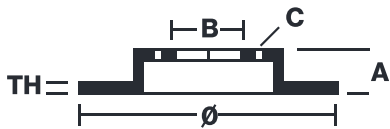
The **09.A966.10** brake disc is synonymous with reliability

The Brembo brake disc is fully interchangeable with an Original Equipment brake disc. The control of the entire production cycle allows Brembo to offer brake discs with outstanding performance levels, reliability, durability and comfort in all conditions of use. All Brembo brake discs are accompanied by the ECE-R90 homologation.



- ✓ OE-equivalent
- ✓ Brembo quality
- ✓ ECE-R90 certificate
- ✓ Safety

Technical specifications



EAN code
8020584027929

Axle
Front

Diameter Ø
340 mm

Thickness (TH)
32 mm

Height (A)
83 mm

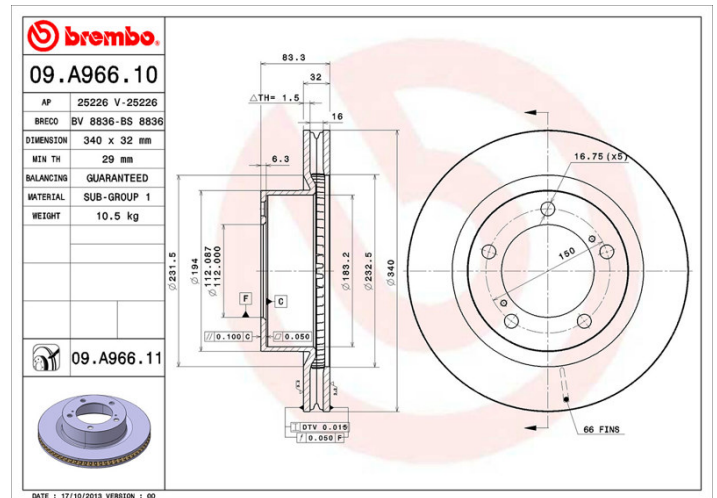
Number of holes (C)
5

Brake disc type
Ventilated

Centering (B)
112 mm

Min. thickness
29 mm

Tightening torque
112 Nm



COMPATIBLE VEHICLES

COMPATIBLE OE PART NUMBERS

4351260180	LEXUS
4351260180	TOYOTA
4351260180	TOYOTA (FAW)