



BRAKE DISC PAINTED

09.B855.51

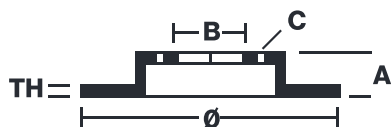
The **09.B855.51** painted brake disc is synonymous with reliability

The Brembo brake disc with special UV paint treatment guarantees superior corrosion resistance for the product, thanks to the protective coating on the outer edges and on the disc hub. The UV paint not only gives the disc a clean, shiny appearance but is also beneficial for the environment as the water-based UV paint treatment does not require the use of chemical solvents and is a low energy consumption process.

- ✓ OE-equivalent
- ✓ Brembo quality
- ✓ ECE-R90 certificate
- ✓ Safety
- ✓ High carbon
- ✓ Anti-corrosion
- ✓ Fastening screws



Technical specifications



EAN code
8020584037188

Axle
Front

Diameter Ø
344 mm

Thickness (TH)
32 mm

Height (A)
52 mm

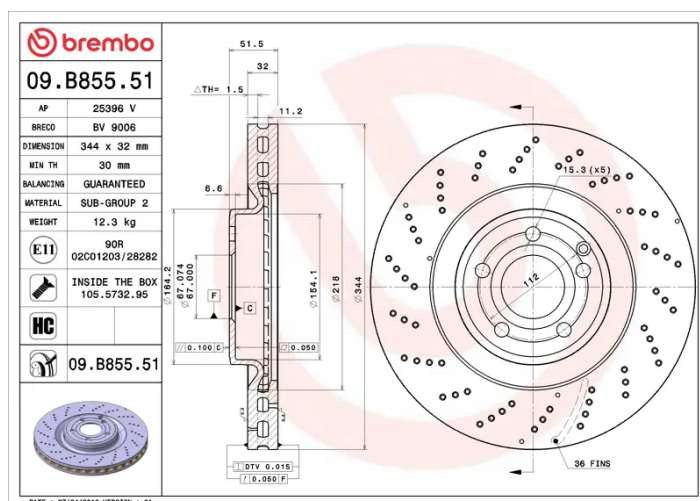
Number of holes (C)
5

Brake disc type
Ventilated

Centering (B)
67 mm

Min. thickness
30 mm

Tightening torque
130 Nm



COMPATIBLE OE PART NUMBERS

2184210412

MERCEDES-BENZ

A2184210412

MERCEDES-BENZ
