



BRAKE DISC PAINTED

09.C892.11

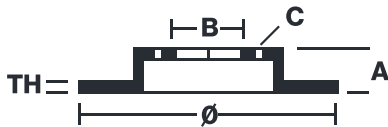
The 09.C892.11 painted brake disc is synonymous with reliability

The Brembo brake disc with special UV paint treatment guarantees superior corrosion resistance for the product, thanks to the protective coating on the outer edges and on the disc hub. The UV paint not only gives the disc a clean, shiny appearance but is also beneficial for the environment as the water-based UV paint treatment does not require the use of chemical solvents and is a low energy consumption process.

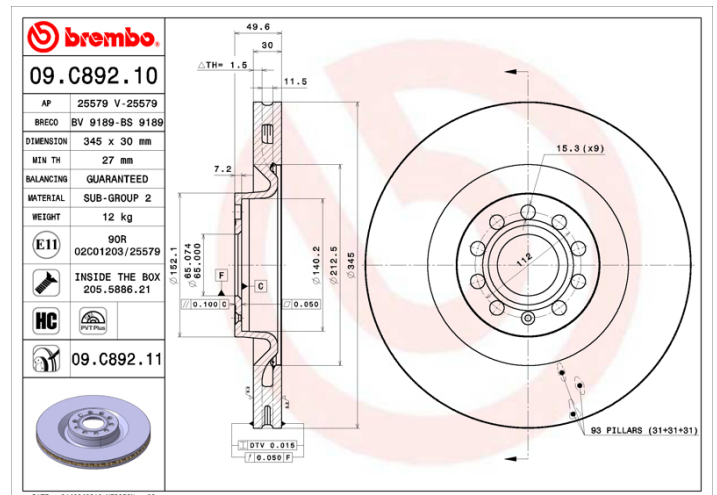
- ✓ OE-equivalent
- ✓ Brembo quality
- ✓ ECE-R90 certificate
- ✓ Safety
- ✓ High carbon
- ✓ Anti-corrosion
- ✓ PVT ventilation
- ✓ Fastening screws



Technical specifications



EAN code 8020584228968	Axle Front and rear	Diameter \varnothing 345 mm
Thickness (TH) 30 mm	Height (A) 50 mm	Number of holes (C) 5
Brake disc type Ventilated	Centering (B) 65 mm	Min. thickness 27 mm



COMPATIBLE VEHICLES

COMPATIBLE OE PART NUMBERS

1K0615301AB	AUDI
-------------	------

1K0615301AR	AUDI
-------------	------

1K0615301M	AUDI
------------	------

1K0615301AB	SEAT
-------------	------

1K0615301M	SEAT
------------	------

1K0615301AB	SKODA
-------------	-------

1K0615301AR	SKODA
-------------	-------

1K0615301M	SKODA
------------	-------

1K0615301AB	VW
-------------	----

1K0615301AR	VW
-------------	----

1K0615301M	VW
------------	----