



BRAKE DISC PAINTED

09.N264.11

The 09.N264.11 painted brake disc is synonymous with reliability

The Brembo brake disc with special UV paint treatment guarantees superior corrosion resistance for the product, thanks to the protective coating on the outer edges and on the disc hub. The UV paint not only gives the disc a clean, shiny appearance but is also beneficial for the environment as the water-based UV paint treatment does not require the use of chemical solvents and is a low energy consumption process.

- ✓ OE-equivalent
- ✓ Brembo quality
- ✓ ECE-R90 certificate
- ✓ Safety
- ✓ Anti-corrosion
- ✓ PVT ventilation



Technical specifications



EAN code
8020584222942

Axle
Front

Diameter \varnothing
294 mm

Thickness (TH)
26 mm

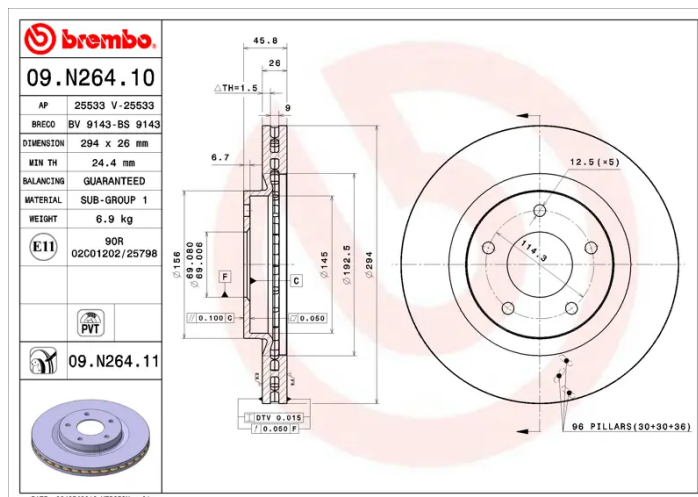
Height (A)
46 mm

Number of holes (C)
5

Brake disc type
Ventilated

Centering (B)
69 mm

Min. thickness
24,4 mm



COMPATIBLE VEHICLES

COMPATIBLE OE PART NUMBERS

1607500580 CITROËN

1610623080 CITROËN

4615A075 MITSUBISHI

4615A117 MITSUBISHI

4615A159 MITSUBISHI

4615A178 MITSUBISHI

4615A117 MITSUBISHI (GAC)

4615A178 MITSUBISHI (GAC)

1607500580 PEUGEOT

1610623080 PEUGEOT
