



DRUM

14.5069.10

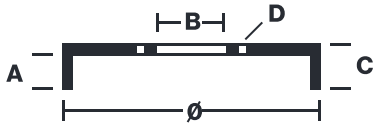
The 14.5069.10 drum is synonymous with reliability

Brembo has developed several design solutions for drum brakes which combine multiple materials to reduce the overall weight. The most popular range of lamellar graphite cast iron drums is supplemented by cast iron drums with a steel sprocket flange and aluminium drums, whereby only the inner part of the drum on which the shoes operate are made of lamellar cast iron, namely the brake band. Additionally drums with built-in bearing kit and hub are added to this range.

- ✓ OE-equivalent
- ✓ Brembo quality
- ✓ Safety
- ✓ Durability



Technical specifications



EAN code	Axle	Diameter
8020584506912	Rear	180 mm
Width	Height	Number of holes
38 mm	61,5	4
Centering	Max diameter	
61 mm	181 mm	

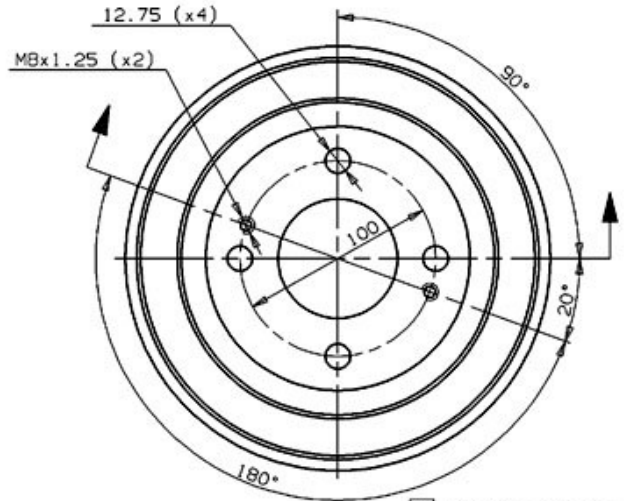
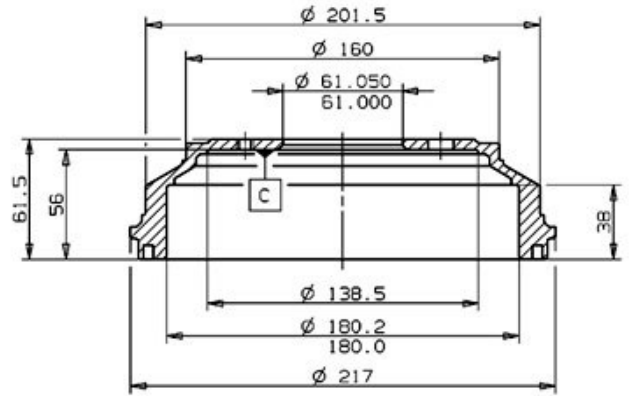


HONDA P.N.: 42610-SB2-010

14.5069.10

CUSTOMER P.N.:

Date 18.11.97



C MOUNTING FACE
Max. DIA. 181 mm
Weight 3.2 Kg

COMPATIBLE OE PART NUMBERS

42610SB2000	HONDA
42610SB2010	HONDA
42610SB2760	HONDA
42610SB2761	HONDA
46210SB2010	HONDA
DBP3798	ROVER
GDB115	ROVER