



# BRAKE PAD PRIME CERAMIC P05003N

The P05003N NAO brake pad is synonymous with reliability

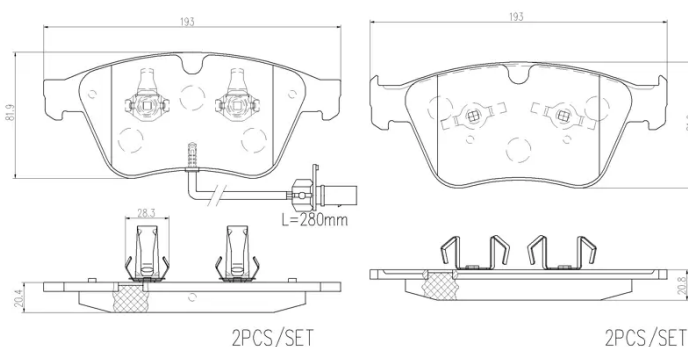
Brembo NAO brake pads stand out for their ultimate braking comfort, reduced friction wear and low dust mission, which makes for cleaner rims and reduced maintenance requirements. The advanced friction material in keeping with the strictest environmental standards is the main distinguishing feature of NAO compounds.

- ✓ OE-equivalent
- ✓ Brembo quality
- ✓ Safety
- ✓ Comfort
- ✓ Durability
- ✓ Dust reduction
- ✓ With accessories



## Technical specifications

EAN code <b>8020584087848</b>	Axle <b>Front</b>	Thickness <b>20 mm</b>
Width <b>193 mm</b>	Height <b>82 mm</b>	Braking system <b>Teves</b>
Wear indicator <b>Electric</b>	WVA number <b>23822,24177</b>	Accessories <b>With anti-squeal shim With piston clip With accessories</b>



**COMPATIBLE VEHICLES**

## COMPATIBLE OE PART NUMBERS

3W0698151AA	BENTLEY
3W0698151P	BENTLEY
3W0698151R	BENTLEY