



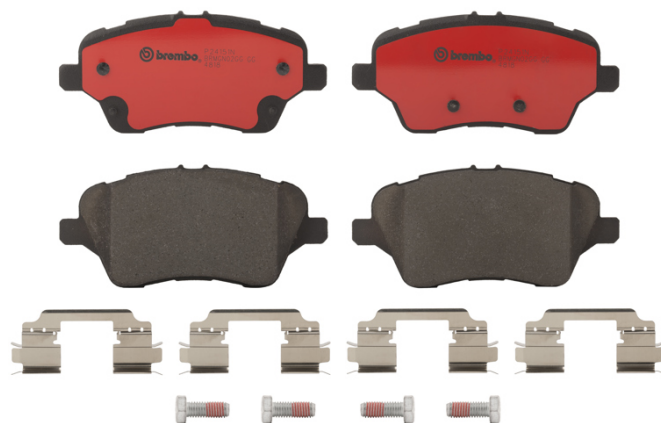
BRAKE PAD NAO

P24151N

The P24151N NAO brake pad is synonymous with reliability

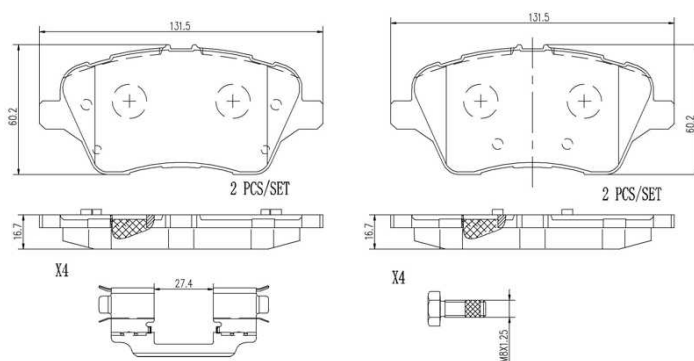
Brembo NAO brake pads stand out for their ultimate braking comfort, reduced friction wear and low dust mission, which makes for cleaner rims and reduced maintenance requirements. The advanced friction material in keeping with the strictest environmental standards is the main distinguishing feature of NAO compounds.

- ✓ OE-equivalent
- ✓ Brembo quality
- ✓ Safety
- ✓ Comfort
- ✓ Durability
- ✓ Dust reduction
- ✓ With accessories



Technical specifications

EAN code 8020584088500	Axle Front	Thickness 17 mm
Width 132 mm	Height 60 mm	Braking system TRW
Wear indicator Without	WVA number 25135,25134	Accessories With accessories With anti-squeal shim With brake caliper bolts



COMPATIBLE VEHICLES

COMPATIBLE OE PART NUMBERS

1751951	FORD
1765066	FORD
1775672	FORD
1785193	FORD
1848532	FORD
1860476	FORD
2236050	FORD
AY112K021BA	FORD
AY112K021BB	FORD
AY112K021BC	FORD
AY112K021BD	FORD
AY112K021CA	FORD
AY1Z2001B	FORD
AY1Z2001D	FORD
AY1Z2001E	FORD
JY162K021AA	FORD
ME8V5J2K021AB	FORD
MEAY1J2K021AA	FORD
MEMV5J2K021A2A	FORD ASIA & OCEANIA