



BRAKE PAD PRIME CERAMIC P30074N

The P30074N NAO brake pad is synonymous with reliability

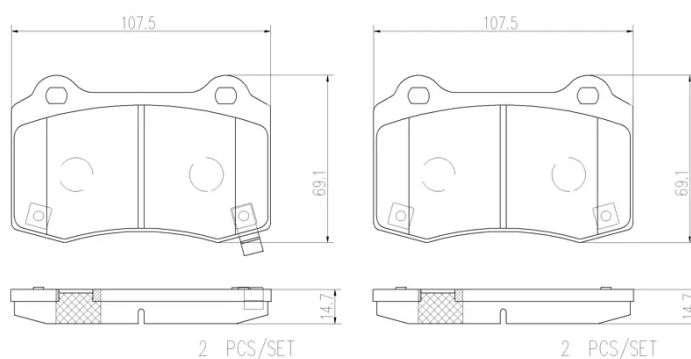
Brembo NAO brake pads stand out for their ultimate braking comfort, reduced friction wear and low dust mission, which makes for cleaner rims and reduced maintenance requirements. The advanced friction material in keeping with the strictest environmental standards is the main distinguishing feature of NAO compounds.

- ✓ OE-equivalent
- ✓ Brembo quality
- ✓ Safety
- ✓ Comfort
- ✓ Durability
- ✓ Dust reduction
- ✓ With accessories



Technical specifications

EAN code 8020584086711	Axle Front and rear	Thickness 15 mm
Width 110 mm	Height 69 mm	Braking system Brembo
Wear indicator Acoustic	WVA number 25743,25744	Accessories With anti-squeal shim



COMPATIBLE VEHICLES

COMPATIBLE OE PART NUMBERS

583022MA10	HYUNDAI
------------	---------

68144432AA	JEEP
------------	------

K68144432AA	JEEP
-------------	------

105506800B	TESLA
------------	-------

105919800A	TESLA
------------	-------

106833100A	TESLA
------------	-------

106833100B	TESLA
------------	-------

106833100C	TESLA
------------	-------

600645300A	TESLA
------------	-------