



BRAKE PAD PRIME CERAMIC P44016N

The P44016N NAO brake pad is synonymous with reliability

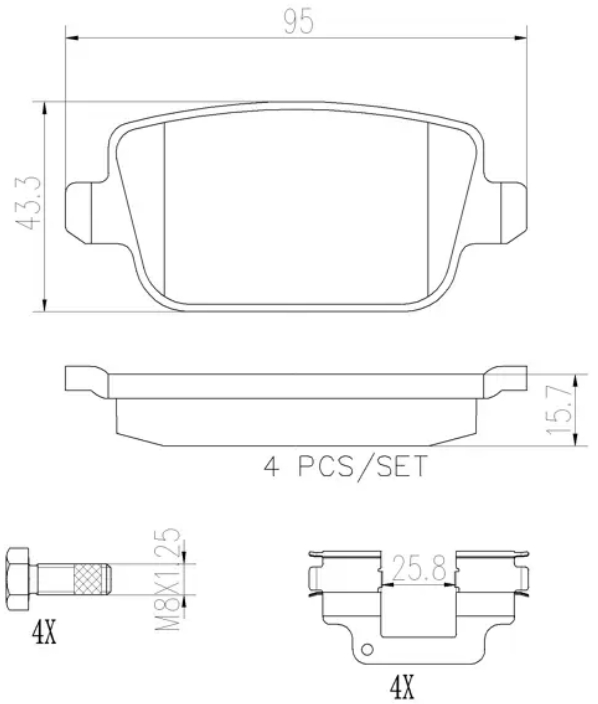
Brembo NAO brake pads stand out for their ultimate braking comfort, reduced friction wear and low dust mission, which makes for cleaner rims and reduced maintenance requirements. The advanced friction material in keeping with the strictest environmental standards is the main distinguishing feature of NAO compounds.

- ✓ OE-equivalent
- ✓ Brembo quality
- ✓ Safety
- ✓ Comfort
- ✓ Durability
- ✓ Dust reduction
- ✓ With accessories



Technical specifications

EAN code	Axle	Thickness
8020584082799	Rear	16 mm
Width	Height	Braking system
95 mm	43 mm	TRW
Wear indicator	WVA number	Accessories
Without	24537	With accessories With anti-squeal shim With brake caliper bolts



COMPATIBLE VEHICLES

COMPATIBLE OE PART NUMBERS

LR003655	LAND ROVER
LR003772	LAND ROVER
LR023888	LAND ROVER
LR165293	LAND ROVER
PW990333	PROTON
PW990396	PROTON
306715760	VOLVO