



BRAKE PAD PRIME CERAMIC P50098N

The P50098N NAO brake pad is synonymous with reliability

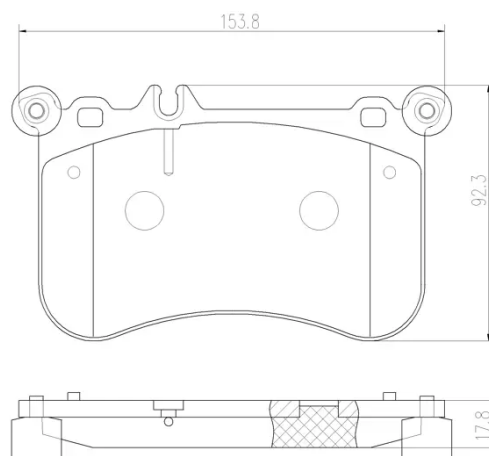
Brembo NAO brake pads stand out for their ultimate braking comfort, reduced friction wear and low dust mission, which makes for cleaner rims and reduced maintenance requirements. The advanced friction material in keeping with the strictest environmental standards is the main distinguishing feature of NAO compounds.

- ✓ OE-equivalent
- ✓ Brembo quality
- ✓ Safety
- ✓ Comfort
- ✓ Durability
- ✓ Dust reduction
- ✓ With accessories



Technical specifications

EAN code	Axle	Thickness
8020584080535	Front	18 mm
Width	Height	Braking system
154 mm	92 mm	Brembo
Wear indicator	WVA number	Accessories
Prepared for wear indicator	25219	With anti-squeal shim With counterweights



4PCS/SET

COMPATIBLE VEHICLES

COMPATIBLE OE PART NUMBERS

0004207404 MERCEDES-BENZ

0064200520 MERCEDES-BENZ

0064201620 MERCEDES-BENZ

0064205620 MERCEDES-BENZ

0064206620 MERCEDES-BENZ

0064208920 MERCEDES-BENZ

0074200520 MERCEDES-BENZ

0074206920 MERCEDES-BENZ

0074207320 MERCEDES-BENZ

0074208420 MERCEDES-BENZ

0074209720 MERCEDES-BENZ

0074209920 MERCEDES-BENZ

A0004207404 MERCEDES-BENZ

A0064200520 MERCEDES-BENZ

A0064201620 MERCEDES-BENZ

A0064205620 MERCEDES-BENZ

A0064206620 MERCEDES-BENZ

A0064208920 MERCEDES-BENZ

A0074200520 MERCEDES-BENZ

A0074206920 MERCEDES-BENZ

A0074207320 MERCEDES-BENZ

A0074208420 MERCEDES-BENZ

A0074209720 MERCEDES-BENZ

A0074209920 MERCEDES-BENZ
