



# BRAKE PAD PRIME CERAMIC P61124N

The P61124N NAO brake pad is synonymous with reliability

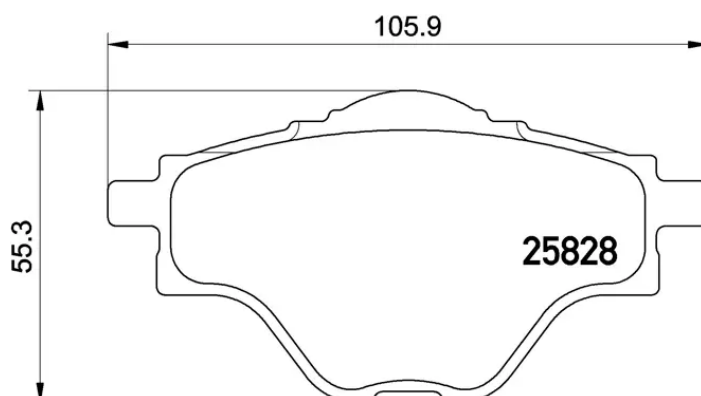
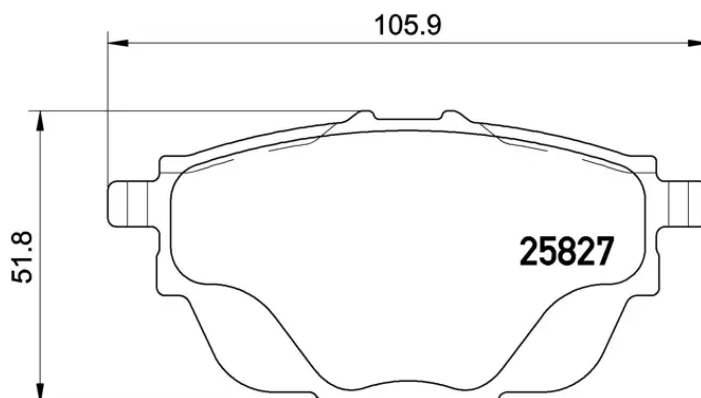
Brembo NAO brake pads stand out for their ultimate braking comfort, reduced friction wear and low dust mission, which makes for cleaner rims and reduced maintenance requirements. The advanced friction material in keeping with the strictest environmental standards is the main distinguishing feature of NAO compounds.

- ✓ OE-equivalent
- ✓ Brembo quality
- ✓ Safety
- ✓ Comfort
- ✓ Durability
- ✓ Dust reduction
- ✓ With accessories



## Technical specifications

EAN code	Axle	Thickness
<b>8020584114230</b>	<b>Rear</b>	<b>17 mm</b>
Width	Height	Braking system
<b>106 mm</b>	<b>55 mm</b>	<b>Bosch</b>
Wear indicator	WVA number	Accessories
<b>Without</b>	<b>25828,25827</b>	<b>With anti-squeal shim</b> <b>With brake caliper bolts</b> <b>With accessories</b>



## COMPATIBLE OE PART NUMBERS

1609000980	CITROËN
1617535480	CITROËN
1619791280	CITROËN
1647874380	DS
1014031404	GEELY
1064030003	GEELY
4036003000	GEELY
4050033200	GEELY
95525386	OPEL
1609000980	PEUGEOT
1617535480	PEUGEOT
1619791280	PEUGEOT
1647860380	PEUGEOT
1647874380	PEUGEOT
1678168080	PEUGEOT (DF-PSA)
95525386	VAUXHALL