



# BRAKE PAD PRIME CERAMIC P83082N

**The P83082N NAO brake pad is synonymous with reliability**

Brembo NAO brake pads stand out for their ultimate braking comfort, reduced friction wear and low dust mission, which makes for cleaner rims and reduced maintenance requirements. The advanced friction material in keeping with the strictest environmental standards is the main distinguishing feature of NAO compounds.

- ✓ OE-equivalent
- ✓ Brembo quality
- ✓ Safety
- ✓ Comfort
- ✓ Durability
- ✓ Dust reduction
- ✓ With accessories



## Technical specifications

EAN code  
**8020584099780**

Axle  
**Front**

Thickness  
**18 mm**

Width  
**139 mm**

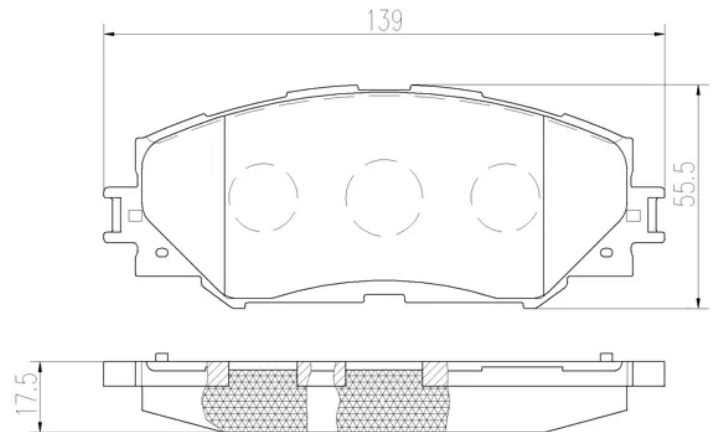
Height  
**56 mm**

Braking system  
**Akebono**

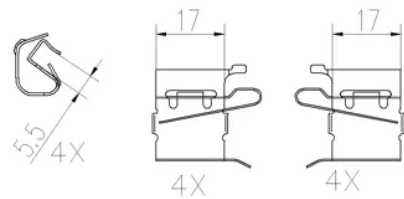
Wear indicator  
**Acoustic**

WVA number  
**24336**

Accessories  
**With anti-squeal shim**



4 PCS/SET



## COMPATIBLE VEHICLES

## COMPATIBLE OE PART NUMBERS

19184912	PONTIAC
0446502220	TOYOTA
0446502240	TOYOTA
0446502310	TOYOTA
0446502400	TOYOTA
044650D200	TOYOTA
044650R010	TOYOTA
0446512610	TOYOTA
0446528540	TOYOTA
0446542160	TOYOTA
044654216079	TOYOTA
0446542200	TOYOTA
04465D8000	TOYOTA
04465WY040	TOYOTA
04465YZZDR	TOYOTA