

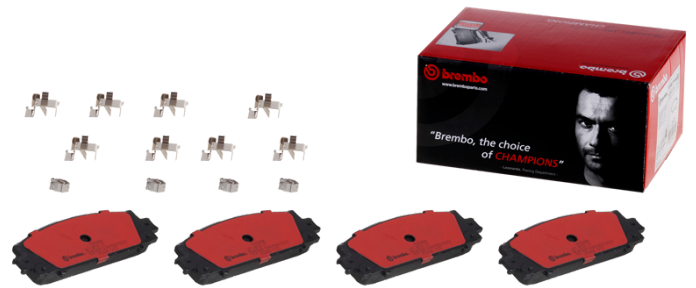


# BRAKE PAD NAO P83086N

**The P83086N NAO brake pad is synonymous with reliability**

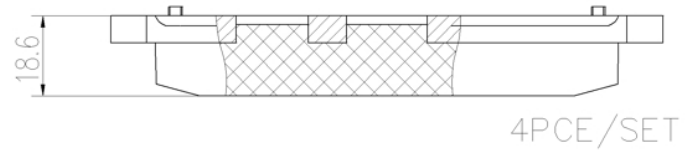
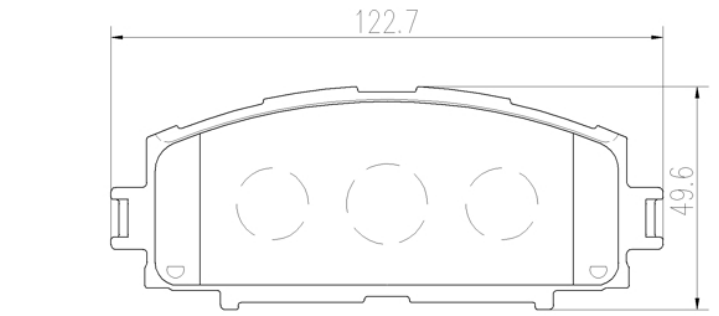
Brembo NAO brake pads stand out for their ultimate braking comfort, reduced friction wear and low dust mission, which makes for cleaner rims and reduced maintenance requirements. The advanced friction material in keeping with the strictest environmental standards is the main distinguishing feature of NAO compounds.

- ✓ OE-equivalent
- ✓ Brembo quality
- ✓ Safety
- ✓ Comfort
- ✓ Durability
- ✓ Dust reduction
- ✓ With accessories

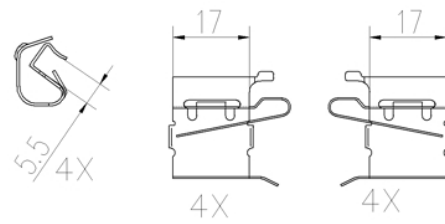


## Technical specifications

EAN code <b>8020584099797</b>	Axle <b>Front</b>	Thickness <b>19 mm</b>
Width <b>123 mm</b>	Height <b>50 mm</b>	Braking system <b>Akebono</b>
Wear indicator <b>Acoustic</b>	WVA number <b>24347</b>	Accessories <b>With accessories</b> <b>With anti-squeal shim</b>



4PCE/SET



## COMPATIBLE VEHICLES

## COMPATIBLE OE PART NUMBERS

3501140G08	GREAT WALL
0446552180	TOYOTA
0446552260	TOYOTA
0446562260	TOYOTA