



BRAKE PAD PRIME CERAMIC P85136N

The P85136N NAO brake pad is synonymous with reliability

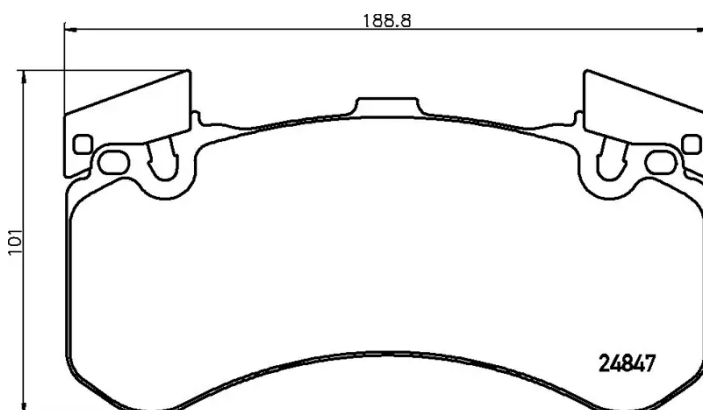
Brembo NAO brake pads stand out for their ultimate braking comfort, reduced friction wear and low dust mission, which makes for cleaner rims and reduced maintenance requirements. The advanced friction material in keeping with the strictest environmental standards is the main distinguishing feature of NAO compounds.

- ✓ OE-equivalent
- ✓ Brembo quality
- ✓ Safety
- ✓ Comfort
- ✓ Durability
- ✓ Dust reduction
- ✓ With accessories



Technical specifications

EAN code	Axle	Thickness
8020584114544	Front	17 mm
Width	Height	Braking system
187 mm	93 mm	Brembo
Wear indicator	WVA number	Accessories
Prepared for wear indicator	24847	With counterweights With anti-squeal shim



COMPATIBLE VEHICLES

COMPATIBLE OE PART NUMBERS

4G0698151AB	AUDI
-------------	------

4G0698151AF	AUDI
-------------	------

4G0698151F	AUDI
------------	------

4H0698151F	AUDI
------------	------

4H0698151J	AUDI
------------	------

4H0698151Q	AUDI
------------	------

4H0698151R	AUDI
------------	------

4H0698151S	AUDI
------------	------

4H6698151	AUDI
-----------	------

3Y0698151	BENTLEY
-----------	---------

3Y0698151B	BENTLEY
------------	---------

3Y0698151C	BENTLEY
------------	---------

3Y0698151F	BENTLEY
------------	---------

4G0698151AB	SEAT
-------------	------

4G0698151F	SEAT
------------	------

4H0698151F	SEAT
------------	------

4H0698151J	SEAT
------------	------

4H0698151Q	SEAT
------------	------

4G0698151AB	SKODA
-------------	-------

4G0698151F	SKODA
------------	-------

4H0698151F	SKODA
------------	-------

4H0698151J	SKODA
------------	-------

4H0698151Q	SKODA
------------	-------

4G0698151AB	VW
-------------	----

4G0698151F	VW
------------	----

4H0698151F	VW
------------	----

4H0698151J	VW
------------	----

4H0698151Q	VW
------------	----

4H0698151S	VW
------------	----