



BRAKE PAD

P 05 003

The P 05 003 brake pad is synonymous with reliability

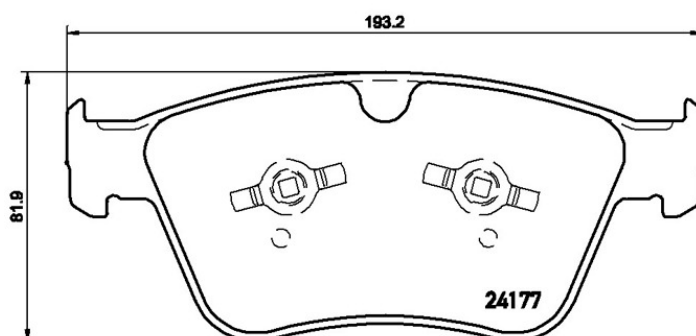
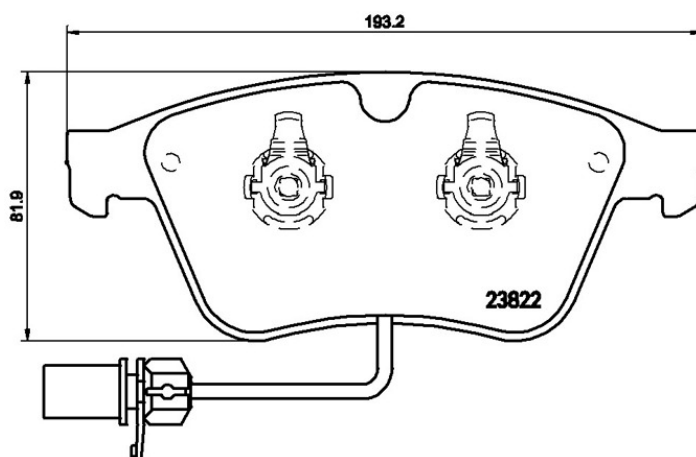
The Brembo brake pad guarantees ultimate safety when braking thanks to the use of more than 100 different compounds, designed according to the type of vehicle and use. Stopping distances reduced to a minimum, maximum driving comfort and silent operation are the most important features of Brembo materials. Brembo brake pads are supplied together with an extensive range of accessories and assembly kits for professional-standard installation.

- ✓ OE-equivalent
- ✓ Brembo quality
- ✓ ECE-R90 certificate
- ✓ Safety
- ✓ Performance
- ✓ Comfort



Technical specifications

EAN code	Axle	Thickness
8020584102633	Front	20 mm
Width	Height	Braking system
193 mm	82 mm	Teves
Wear indicator	WVA number	Accessories
Electric	24177,23822	With piston clip



COMPATIBLE VEHICLES

COMPATIBLE OE PART NUMBERS

3W0698151AA	BENTLEY
-------------	---------

3W0698151P	BENTLEY
------------	---------

3W0698151R	BENTLEY
------------	---------