



BRAKE PAD

P 24 021

The P 24 021 brake pad is synonymous with reliability

The Brembo brake pad guarantees ultimate safety when braking thanks to the use of more than 100 different compounds, designed according to the type of vehicle and use. Stopping distances reduced to a minimum, maximum driving comfort and silent operation are the most important features of Brembo materials. Brembo brake pads are supplied together with an extensive range of accessories and assembly kits for professional-standard installation.

- ✓ OE-equivalent
- ✓ Brembo quality
- ✓ ECE-R90 certificate
- ✓ Safety
- ✓ Performance
- ✓ Comfort
- ✓ With accessories



Technical specifications

EAN code
8020584051931

Axle
Rear

Thickness
14 mm

Width
90 mm

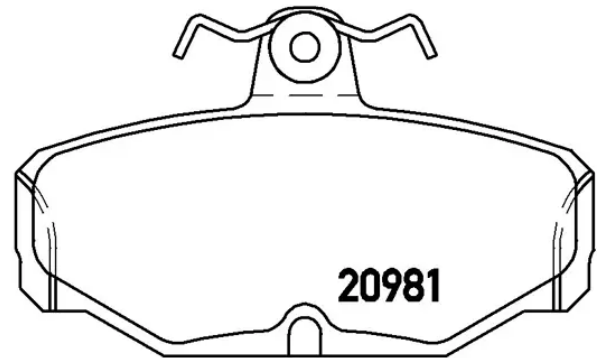
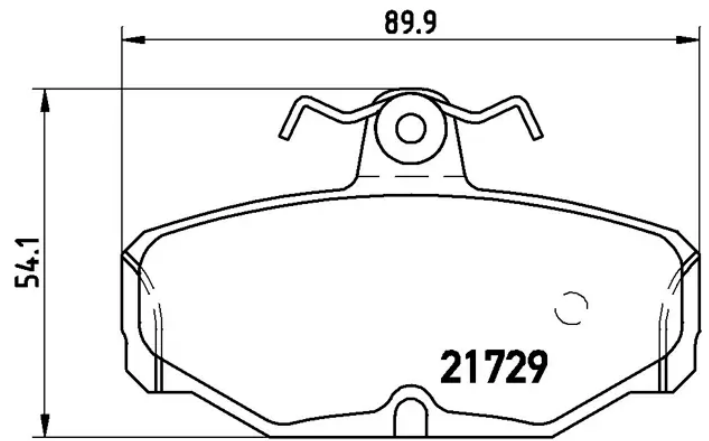
Height
54 mm

Braking system
Lucas

Wear indicator
Electric

WVA number
20981,21079

Accessories
With brake caliper bolts
With accessories
With anti-squeal shim



COMPATIBLE VEHICLES

COMPATIBLE OE PART NUMBERS

1111283	FORD
1111287	FORD
1666624	FORD
1666716	FORD
6141149	FORD
6155610	FORD
6162337	FORD
6175343	FORD
6185119	FORD
6189769	FORD
85GB2M008AB	FORD
85GB2M008AC	FORD
85GB2M008AD	FORD
85GB2M008AE	FORD
85GB2M008AF	FORD
85GB2M008AG	FORD
85GX2M008AG	FORD
92GB2M008AA	FORD
92GX2M008AA	FORD
D85GB2M008AG	FORD
D92GB2M008AA	FORD