



# BRAKE PAD

## P 28 070

The P 28 070 brake pad is synonymous with reliability

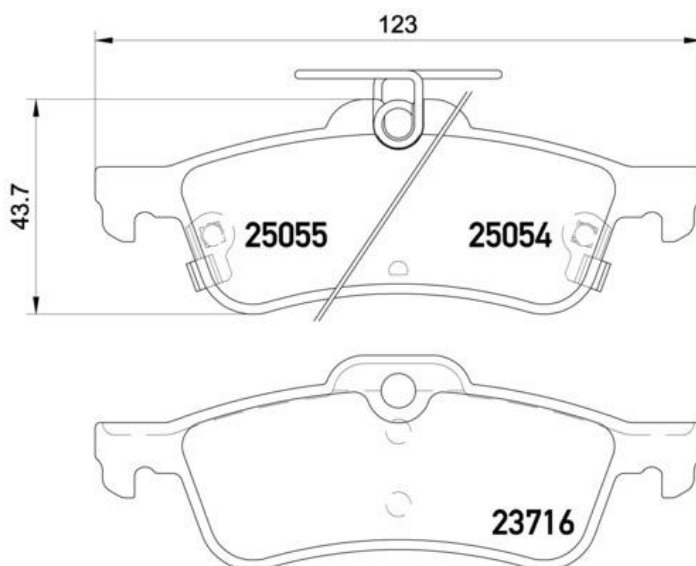
The Brembo brake pad guarantees ultimate safety when braking thanks to the use of more than 100 different compounds, designed according to the type of vehicle and use. Stopping distances reduced to a minimum, maximum driving comfort and silent operation are the most important features of Brembo materials. Brembo brake pads are supplied together with an extensive range of accessories and assembly kits for professional-standard installation.

- ✓ OE-equivalent
- ✓ Brembo quality
- ✓ ECE-R90 certificate
- ✓ Safety
- ✓ Performance
- ✓ Comfort



### Technical specifications

EAN code	Axle	Thickness
8020584109472	Rear	15 mm
Width	Height	Braking system
123 mm	44 mm	Teves
Wear indicator	WVA number	
Acoustic	25054,25055,24574	



COMPATIBLE VEHICLES

## COMPATIBLE OE PART NUMBERS

43022TV0E00	HONDA
-------------	-------

---

43022TV0E01	HONDA
-------------	-------

---

43022TV8E00	HONDA
-------------	-------

---

43022TV8E01	HONDA
-------------	-------

---