



BRAKE PAD

P 28 076

The P 28 076 brake pad is synonymous with reliability

The Brembo brake pad guarantees ultimate safety when braking thanks to the use of more than 100 different compounds, designed according to the type of vehicle and use. Stopping distances reduced to a minimum, maximum driving comfort and silent operation are the most important features of Brembo materials. Brembo brake pads are supplied together with an extensive range of accessories and assembly kits for professional-standard installation.

- ✓ OE-equivalent
- ✓ Brembo quality
- ✓ ECE-R90 certificate
- ✓ Safety
- ✓ Performance
- ✓ Comfort



Technical specifications

EAN code
8020584112724

Axle
Front

Thickness
17 mm

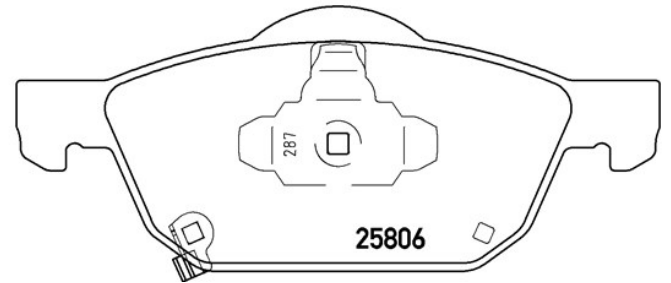
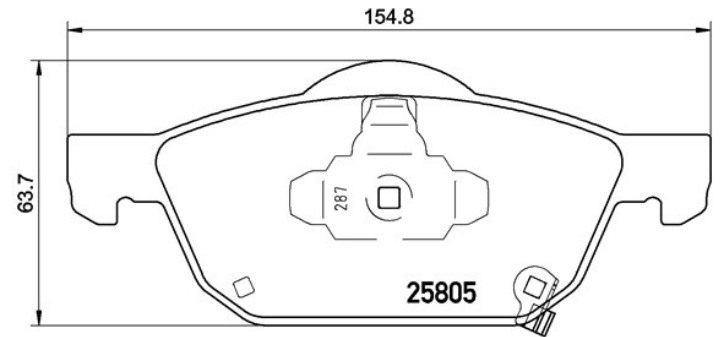
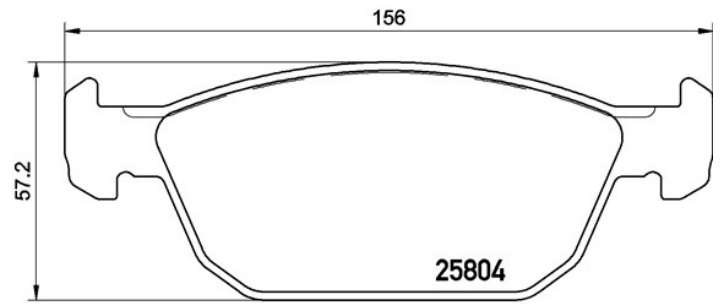
Width
156 mm

Height
57 mm

Braking system
Teves

Wear indicator
Acoustic

WVA number
25804,25806,25805



COMPATIBLE VEHICLES

COMPATIBLE OE PART NUMBERS

45022TGNG00	HONDA
45022TV0E00	HONDA
45022TV0E01	HONDA
45022TV0E02	HONDA
45022TV2E00	HONDA
45022TV2E01	HONDA
45022TV2E02	HONDA